

# Flameproof Glands

## A2EX EEx d IIC & EEx e II Deluge Proof IP68 Gland



### Application

### Features & Benefits

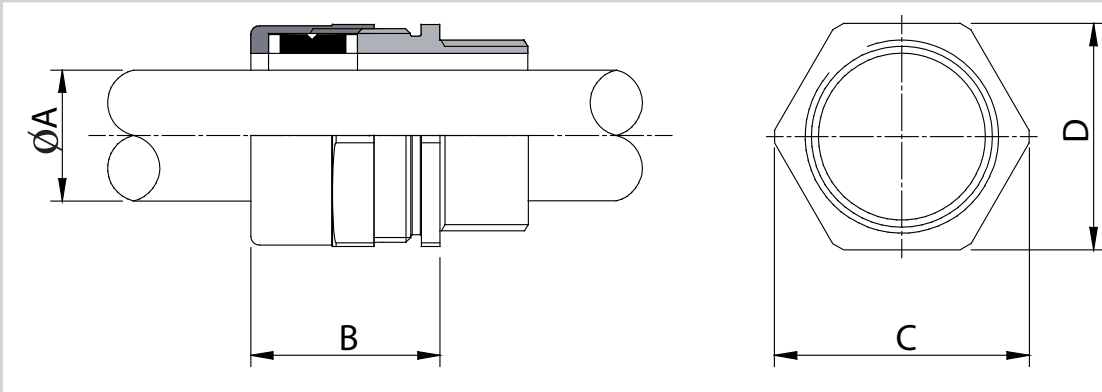


### Technical Data

- > For unarmoured and braided cable
- > Brass indoor and outdoor cable gland for use in hazardous areas
- > Suitable for circular unarmoured cables with extruded oversheath
- > Fitted with silicone rubber low smoke, zero halogen seal
- > Achieves IP66, IP68 (1 bar) and deluge proof (DTS01:1991) seal onto cable and to enclosure with suitable sealing washer or thread sealant
- > Suitable for most climatic conditions - weatherproof, waterproof and deluge proof
- > Dual seal option (A2EXP) available to special order
- > Nicked plated versions also available
- > Matching accessory kits available
- > Certified II 2GD, EEx e II & EEx d IIC under ATEX directive 94/9/EC
- > IECEx SIR 10.0069x
- > Certificate number Sira99ATEX1086X
- > Applied Standards:
  - EN 60079-0: 2006    - EN 60079-1: 2007    - EN 60079-7: 2007
  - EN 61241-0: 2006    - EN 61241-1: 2004    - IEC 60079-0: 2004
  - IEC 60079-1: 2007-04    - IEC 60079-7: 2006-07    - IEC 60079-0: 2004
  - IEC 61241-1: 2004
- > Service temperature range -50°C to +200°C
- > May be used in:
  - Zones 0, 1 & 2 with EEx ia IIA, B & C equipment
  - Zones 1 & 2 with EEx ib IIA, B & C equipment
  - Zones 1 & 2 with EEx e II equipment
  - Zones 2 with EEx nA II equipment
  - Zones 21 & 22 with ExtdA21 IP66
- > Where the cable is effectively filled, may also be used in:
  - Zones 1 & 2 with EEx d IC equipment not containing a source of ignition & with a volume with less than 2000 cm<sup>3</sup>
  - Zones 1 & 2 with EEx d IIA & EEx d IIB equipment not containing a source of ignition & with any volume
  - Zone 1 with EEx d IIA & EEx d IIB equipment containing a source of ignition & with a volume of less than 2000 cm<sup>3</sup>
  - Zone 2 with EEx d IIA & EEx d IIB equipment containing a source of ignition & with any volume
  - Zone 2 with EEx nR II equipment
- > UL Classified in accordance with IEC 60079-0, 60079-1, 60079-7, 61241-0 and 61241-1 for use in hazardous locations
- > UL Listed for use in Class1, Zone 0, 1 and 2 hazardous locations for Canada



# A2EX EEx d IIC & EEx e II Deluge Proof IP68 Gland



## Gland Details

| Basic Size | Gland References & Thread Sizes |                   |                      |                | Cable Dia. 'A' mm | Gland Dimensions mm |                    |                      |         |      |
|------------|---------------------------------|-------------------|----------------------|----------------|-------------------|---------------------|--------------------|----------------------|---------|------|
|            | Cat Ref.                        | Metric Design No. | Metric Thread Size * | NPT Design No. |                   | NPT Thread Size *   | Approx. Length 'B' | Hexagon Size A/C 'C' | A/F 'D' |      |
| 16         | A2EX16                          | 494AB51           | M16 × 1.5            |                | 3.5               | 8.5                 | 36                 | 24.9                 | 22.0    |      |
| 16         |                                 |                   |                      | 494NE03        | ½" - 14 NPT       | 3.5                 | 8.5                | 36                   | 28.7    | 25.7 |
| 20SS       | A2EX20SS                        | 494AB71           | M20 × 1.5            |                | 3.5               | 8.5                 | 36                 | 24.9                 | 22.0    |      |
| 20S        | A2EX20S                         | 494AB52           | M20 × 1.5            |                | 8.0               | 11.5                | 36                 | 24.9                 | 22.0    |      |
| 20S        |                                 |                   |                      | 494NE04        | ½" - 14 NPT       | 8.0                 | 11.5               | 36                   | 31.8    | 27.8 |
| 20         | A2EX20                          | 494AB53           | M20 × 1.5            |                | 8.0               | 16.0                | 34                 | 28.7                 | 25.7    |      |
| 20         |                                 |                   |                      | 494NE05        | ½" - 14 NPT       | 8.0                 | 16.0               | 34                   | 36.9    | 33.0 |
| 20         |                                 |                   |                      | 494NE08        | ¾" - 14 NPT       | 8.0                 | 16.0               | 34                   | 36.9    | 33.0 |
| 25         | A2EX25                          | 494AB55           | M25 × 1.5            | 494NE10        | ¾" - 14 NPT       | 11.5                | 21.0               | 44                   | 36.9    | 33.0 |
| 25         |                                 |                   |                      | 494NE14        | 1" - 11½ NPT      | 11.5                | 21.0               | 44                   | 42.2    | 37.5 |
| 32         | A2EX32                          | 494AB56           | M32 × 1.5            | 494NE15        | 1" - 11½ NPT      | 18.5                | 27.5               | 38                   | 42.2    | 37.5 |
| 32         |                                 |                   |                      | 494NE20        | 1¼" - 11½ NPT     | 18.5                | 27.5               | 38                   | 52.9    | 47.2 |
| 40         | A2EX40                          | 494AB57           | M40 × 1.5            | 494NE21        | 1¼" - 11½ NPT     | 24.0                | 34.0               | 46                   | 53.6    | 47.2 |
| 40         |                                 |                   |                      | 494NE27        | 1½" - 11½ NPT     | 24.0                | 34.0               | 46                   | 63.1    | 56.4 |
| 50         | A2EX50                          | 494AB59           | M50 × 1.5            |                | 31.0              | 41.0                | 44                 | 61.5                 | 56.4    |      |
| 50         |                                 |                   |                      | 494NE32        | 2" - 11½ NPT      | 31.0                | 41.0               | 44                   | 71.5    | 65.0 |
| 63         | A2EX63                          | 494AB61           | M63 × 1.5            |                | 40.0              | 52.5                | 61                 | 77.2                 | 70.0    |      |
| 63         |                                 |                   |                      | 494NE38        | 2½" - 8 NPT       | 40.0                | 52.5               | 61                   | 87.4    | 80.0 |
| 75S        | A2EX75S                         | 494AB62           | M75 × 1.5            |                | 52.5              | 58.0                | 46                 | 87.4                 | 80.0    |      |
| 75S        |                                 |                   |                      | 494NE44        | 3" - 8 NPT        | 52.5                | 58.0               | 46                   | 109.2   | 98.8 |
| 75         | A2EX75                          | 494AB63           | M75 × 1.5            |                | 54.5              | 65.5                | 66                 | 87.4                 | 80.0    |      |
| 75         |                                 |                   |                      | 494NE45        | 3" - 8 NPT        | 54.5                | 65.5               | 66                   | 109.2   | 98.8 |

\* 1.5mm Pitch threads are supplied 15mm long, 2mm pitch threads are supplied 20mm long

\* Sizes 32mm and above shall only to be used for fixed installations. In addition the user / installer to ensure that the cables are adequately clamped.