

Flameproof Gland Kits

A2EX EEx d IIC & EEx e II Deluge Proof IP68 Gland Kit



Application

Features & Benefits

Technical Data

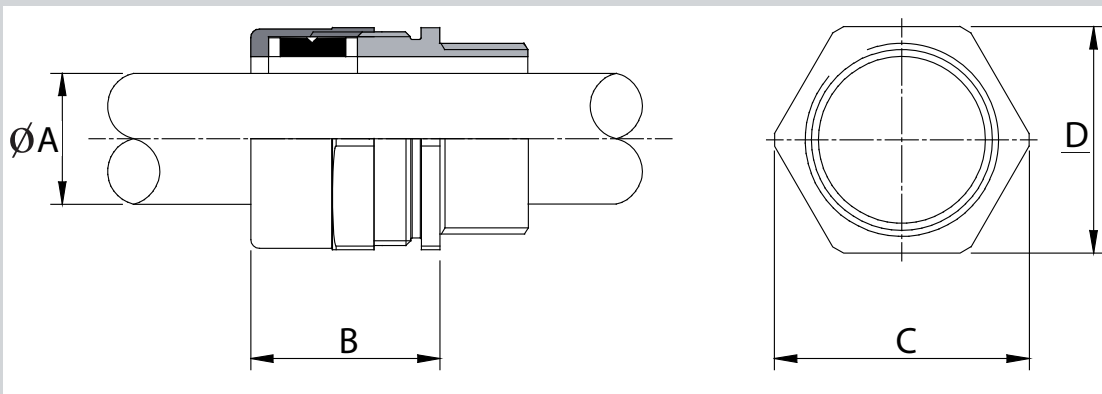


- > Kit comprises:
 - A2EX Gland
 - Brass locknut
 - PVC shroud
- > 2 per kit up to and including 25mm size

- > For unarmoured and braided cable
- > Brass indoor and outdoor cable gland for use in hazardous areas
- > Suitable for circular unarmoured cables with extruded oversheath
- > Fitted with silicone rubber low smoke, zero halogen seal
- > Achieves IP66, IP68 (1 bar) and deluge proof (DTS01:1991) seal onto cable and to enclosure with suitable sealing washer or thread sealant
- > Suitable for most climatic conditions - weatherproof, waterproof and deluge proof
- > Dual seal option (A2EXP) available to special order
- > Nicked plated versions also available
- > Matching accessory kits available
- > Certified II 2GD, EEx e II & EEx d IIC under ATEX directive 94/9/EC
- > IECEx SIR 10.0069x
- > Certificate number Sira99ATEX1086X
- > Applied Standards:
 - EN 60079-0: 2006
 - EN 60079-1: 2007
 - EN 60079-7: 2007
 - EN 61241-0: 2006
 - EN 61241-1: 2004
 - IEC 60079-0: 2004
 - IEC 60079-1: 2007-04
 - IEC 60079-7: 2006-07
 - IEC 60079-0: 2004
 - IEC 61241-1: 2004
- > Service temperature range -50°C to +200°C
- > May be used in:
 - Zones 0, 1 & 2 with EEx ia IIA, B & C equipment
 - Zones 1 & 2 with EEx ib IIA, B & C equipment
 - Zones 1 & 2 with EEx e II equipment
 - Zones 2 with EEx nA II equipment
 - Zones 21 & 22 with ExtdA21 IP66
- > Where the cable is effectively filled, may also be used in:
 - Zones 1 & 2 with EEx d IC equipment not containing a source of ignition & with a volume with less than 2000 cm³
 - Zones 1 & 2 with EEx d IIA & EEx d IIB equipment not containing a source of ignition & with any volume
 - Zone 1 with EEx d IIA & EEx d IIB equipment containing a source of ignition & with a volume of less than 2000 cm³
 - Zone 2 with EEx d IIA & EEx d IIB equipment containing a source of ignition & with any volume
 - Zone 2 with EEx nR II equipment
- > UL Classified in accordance with IEC 60079-0, 60079-1, 60079-7, 61241-0 and 61241-1 for use in hazardous locations
- > UL Listed for use in Class1, Zone 0, 1 and 2 hazardous locations for Canada



A2EX EEx d IIC & EEx e II Deluge Proof IP68 Gland Kit



Gland Details

Basic Size	Gland References & Thread Sizes		Cable Dia. 'A' mm		Approx. Length 'B'	Gland Dimensions mm	
	Design No.	Metric Thread Size *	Min	Max		A/C 'C'	A/F 'D'
20SS	A2EX20SSK	M20 × 1.5	3.5	8.5	36	24.9	22.0
20S	A2EX20SK	M20 × 1.5	8.0	11.5	36	24.9	22.0
20	A2EX20K	M20 × 1.5	8.0	16.0	34	28.7	25.7
25	A2EX25K	M25 × 1.5	11.5	21.0	44	36.9	33.0
32	A2EX32K	M32 × 1.5	18.5	27.5	38	42.2	37.5
40	A2EX40K	M40 × 1.5	24.0	34.0	46	53.6	47.2
50	A2EX50K	M50 × 1.5	31.0	41.0	44	61.5	56.4
63	A2EX63K	M63 × 1.5	40.0	52.5	61	77.2	70.0
75S	A2EX75SK	M75 × 1.5	52.5	58.0	46	87.4	80.0
75	A2EX75K	M75 × 1.5	54.5	65.5	66	87.4	80.0

* 1.5mm Pitch threads are supplied 15mm long.

* Sizes 32mm and above shall only to be used for fixed installations. In addition the user / installer to ensure that the cables are adequately clamped.