

## BET Series

Offset Palm Brass Lugs  
4mm<sup>2</sup> - 120mm<sup>2</sup>



**BICON™**

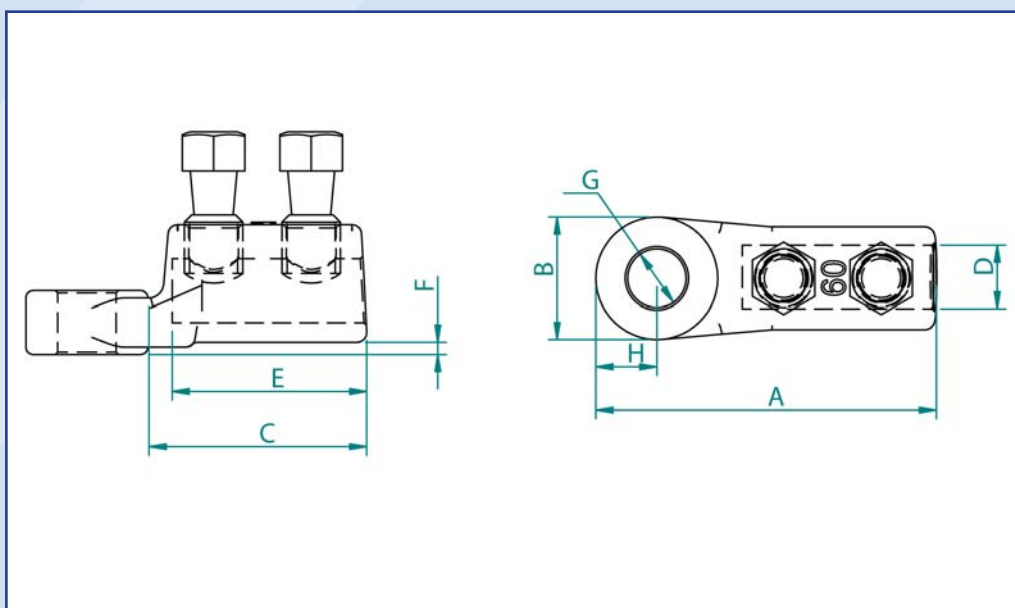
### Application

LV Copper and Aluminium conductors.  
Power Cable Neutral screen wires.  
Indoor/Outdoor use.  
Can be used with all jointing technologies:  
cold shrink and heat shrink.

### Features

Brass construction providing good corrosion resistance.  
Tested in accordance with IEC 61238.

## BET Series Offset Palm Brass Lugs 4mm<sup>2</sup>-120mm<sup>2</sup>



### Dimensions

|   |                     |
|---|---------------------|
| A | Overall Length      |
| B | Max Width           |
| C | Barrell Length      |
| D | Bore Diameter       |
| E | Bore Depth          |
| F | Palm Offset         |
| G | Stud Clearance Hole |
| H | Stud Hole Position  |

## Technical Data

| Connector Type                   |                 |    | Low Voltage Brass Mechanical Lugs |          |          |           |           |
|----------------------------------|-----------------|----|-----------------------------------|----------|----------|-----------|-----------|
| Material Reference Number        |                 |    | 8705201                           | 8700001  | 8700002  | 8700101   | 8700102   |
| Catalogue Number                 |                 |    | BET35M12                          | BET60M12 | BET60M16 | BET120M12 | BET120M16 |
| Connector Material               |                 |    | Brass                             |          |          |           |           |
| Number of Conductor Screws/Bolts |                 |    | 2                                 | 2        | 2        | 2         | 2         |
| Screw/Bolt Material              |                 |    | Brass                             |          |          |           |           |
| Allen Key                        |                 |    | 4mm                               |          |          |           |           |
| Recommended Torque               |                 |    | 6Nm                               |          |          |           |           |
| Hex AF                           |                 |    |                                   | 13mm     | 13mm     | 13mm      | 13mm      |
| Shear Torque                     |                 |    |                                   | 20Nm     | 20Nm     | 27Nm      | 27Nm      |
| Hole size to suit stud diameter  |                 |    | 12mm                              | 12mm     | 16mm     | 12mm      | 16mm      |
| Conductor Cross Section Range    |                 |    |                                   |          |          |           |           |
| Solid Aluminium                  | mm <sup>2</sup> |    | 10-50                             | 50-95    | 50-95    | 70-150    | 70-150    |
| Stranded Aluminium               | mm <sup>2</sup> |    | 4-35                              | 35-70    | 35-70    | 50-120    | 50-120    |
| Stranded Copper                  | mm <sup>2</sup> |    | 4-35                              | 35-70    | 35-70    | 50-120    | 50-120    |
| Stranded Flexible Copper         | mm <sup>2</sup> |    | 4-35                              | 25-50    | 25-50    | 35-95     | 35-95     |
| Dimensions                       |                 |    |                                   |          |          |           |           |
| Overall Length                   | A               | mm | 60                                | 73       | 73       | 87        | 87        |
| Max Width                        | B               | mm | 20                                | 25       | 25       | 28        | 28        |
| Barrel Length                    | C               | mm | 35                                | 48       | 48       | 53        | 53        |
| Bore Diameter                    | D               | mm | 10                                | 13       | 13       | 17        | 17        |
| Bore Depth                       | E               | mm | 27                                | 37       | 37       | 45        | 45        |
| Palm Offset                      | F               | mm | 2.5                               | 2.5      | 2.5      | 2.5       | 2.5       |
| Stud Clearance Hole              | G               | mm | 12.7                              | 12.7     | 16.7     | 12.7      | 16.7      |
| Stud Hole Position               | H               | mm | 10                                | 12.5     | 12.5     | 14        | 14        |
| Weight (each)                    |                 |    | 62g                               | 191g     | 189g     | 293g      | 291g      |
| Shipping Quantity                |                 |    | 100                               | 25       | 25       | 25        | 25        |
| Test Standard                    |                 |    | IEC 61238                         |          |          |           |           |

\* Technical information subject to change without notice

Prysmian Cables & Systems Limited, Components Unit, Oak Road, Wrexham Industrial Estate, Wrexham, LL13 9PH  
 Commercial Enquiries, Tel +44 (0) 845 767 8345, Fax +44 (0) 1978 662 410  
 components.sales@prysmian.com

Ref: BET Series/01/11

[www.prysmian.co.uk](http://www.prysmian.co.uk)

**PRYSMIAN**  
CABLES & SYSTEMS