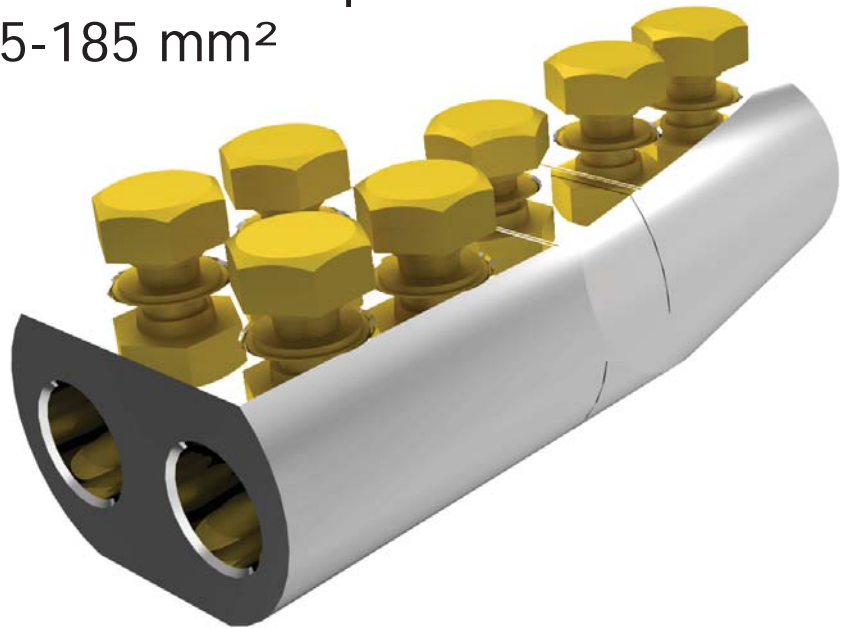


BMHC185ADB

Solid Blocked Split Branch Connector
95-185 mm²



BI **CON**TM

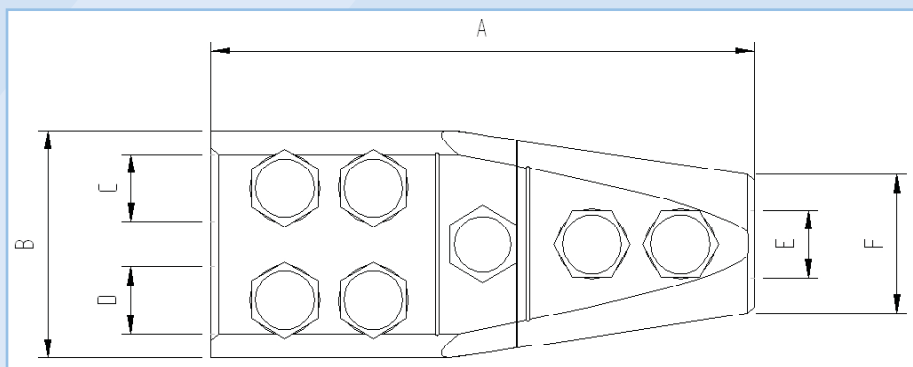
Application

Power cables with aluminium conductors.
Can be used with all jointing technologies:
cold shrink, heat shrink, resin etc.

Features

High tensile Jigsaw centre split design.
Profiled bores to enhance electrical contact and
increase mechanical constraint.
Full compliance with the **electrical** and **mechanical**
requirements of IEC 61238.

BMHC185ADBR Solid Blocked Split Branch Connector 95-185 mm²



Dimension Details

A	155 mm
B	65 mm
C	19 mm
D	19 mm
E	19 mm
F	40 mm

Technical Data

Connector Type	Mechanical Split Branch
Material Reference Number	8704401
Catalogue Number	BMHC185ADBR
Connector Material	Aluminium
Number of Conductor Bolts	2+2+2
AF	19 mm
Shear torque	47-52 Nm
Bolt Material	Brass
Central Connection Type	Jigsaw
Central Connection Bolt	Yes, 1 off
AF	19 mm
Shear Torque	24 Nm
Bolt Material	Brass
Connection Bolt Removable	Yes, Allen Key
AF	6 mm
Conductor Cross Section Range	
Solid Aluminium	95-185 mm ²
Stranded Aluminium	95-185 mm ²
Stranded Copper	N/A mm ²
Stranded Flexible Copper	N/A mm ²
Overall Length	155 mm
Diameter	N/A mm
Weight (each)	1040 g
Shipping Quantity (min)	10 pieces
Test Standard	IEC 61238

*Technical Information subject to change without notice.

Accessories

59020	Mastic filler kit (Pack of 6 Strips)
8704404	Centre Connection Bolt (pack of 3)
8704402	Brass Centralising Range Extension Sleeve for 50mm ² (Str Al/Cu) to 70mm ² (SAC & Str Al/Cu)
8704403	Brass Centralising Range Extension Sleeve for 10mm ² (Str Al/Cu) to 35mm ² (Str Al/Cu)