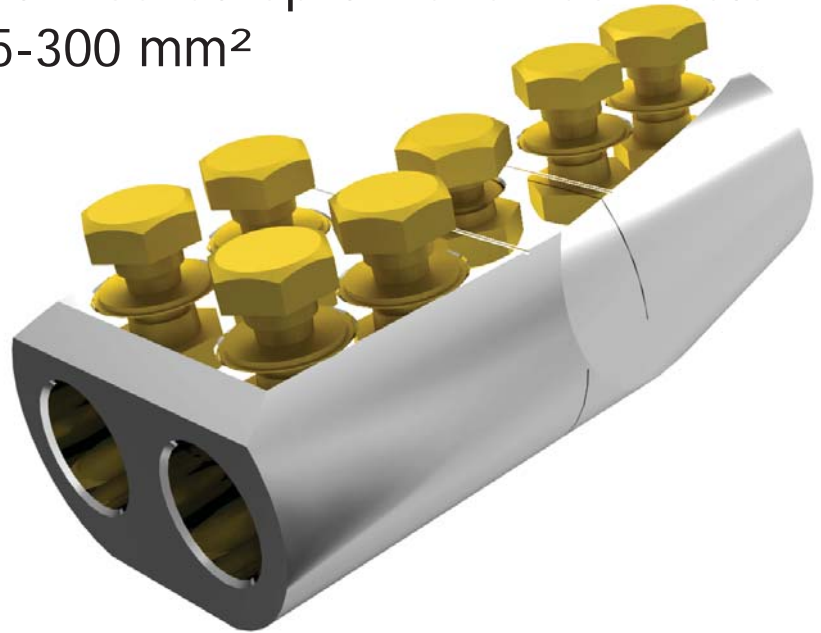


## BMHC300ADBR

Solid Blocked Split Branch Connector  
185-300 mm<sup>2</sup>



**BICON™**

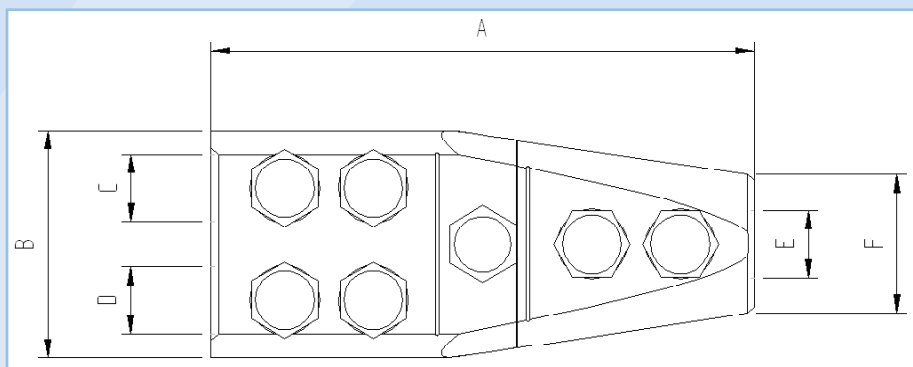
### Application

Power cables with aluminium conductors.  
Can be used with all jointing technologies:  
cold shrink, heat shrink, resin etc.

### Features

High tensile Jigsaw centre split design.  
Profiled bores to enhance electrical contact and  
increase mechanical constraint.  
Full compliance with the **electrical** and **mechanical**  
requirements of IEC 61238.

# BMHC300ADBR Solid Blocked Split Branch Connector 185-300 mm<sup>2</sup>



## Dimension Details

A	155 mm
B	75 mm
C	24 mm
D	24 mm
E	24 mm
F	45 mm

## Technical Data

Connector Type	Mechanical Split Branch
Material Reference Number	8704501
Catalogue Number	BMHC300ADBR
Connector Material	Aluminium
Number of Conductor Bolts	2+2+2
AF	19 mm
Shear torque	47-52 Nm
Bolt Material	Brass
Central Connection Type	Jigsaw
Central Connection Bolt	Yes, 1 off
AF	19 mm
Shear Torque	24 Nm
Bolt Material	Brass
Connection Bolt Removable	Yes, Allen Key
AF	6 mm
Conductor Cross Section Range	
Solid Aluminium	185-300 mm <sup>2</sup>
Stranded Aluminium	185-300 mm <sup>2</sup>
Stranded Copper	N/A mm <sup>2</sup>
Stranded Flexible Copper	N/A mm <sup>2</sup>
Overall Length	155 mm
Diameter	N/A mm
Weight (each)	1300 g
Shipping Quantity (min)	10 pieces
Test Standard	IEC 61238

\*Technical Information subject to change without notice.

## Accessories

59020	Mastic filler kit (Pack of 6 Strips)
8704503	Centre Connection Bolt (pack of 3)
8704502	Brass Centralising Range Extension Sleeve for 50mm <sup>2</sup> (Str Al/Cu) to 1500mm <sup>2</sup> (SAC & Str Al/Cu)