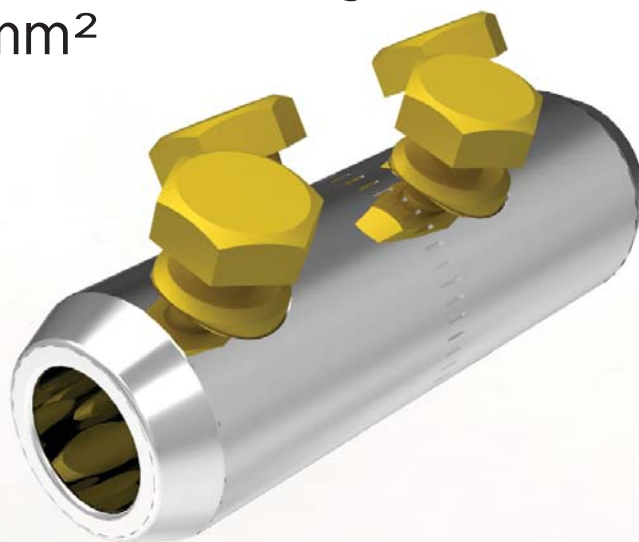


BMHCW150TASST

Solid Blocked Straight Connector
150 mm²



BIcon™

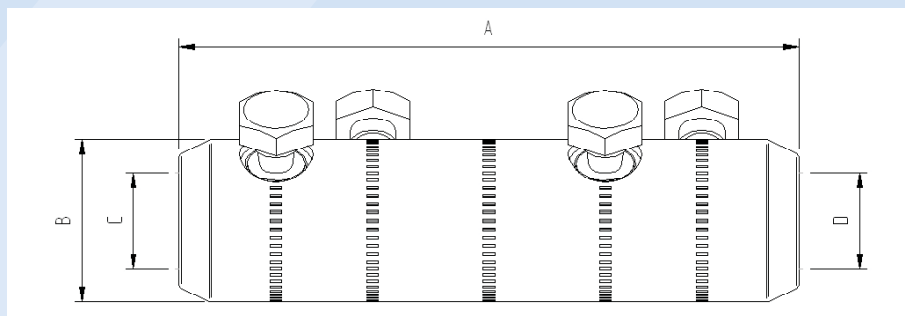
Application

Power cables with copper & aluminium conductors.
Can be used with all jointing technologies:
cold shrink, heat shrink, resin etc.

Features

Profiled bores to enhance electrical contact and increase mechanical constraint.
Full compliance with the **electrical** and **mechanical** requirements of IEC 61238.

BMHCW150TASST Solid Blocked Straight Connector 150mm²



Dimension Details

A	110 mm
B	35 mm
C	20 mm
D	20 mm

Technical Data

Connector Type	Solid Blocked Straight
Material Reference Number	8702201
Catalogue Number	BMHCW150TASST
Connector Material	Tinned Aluminium
Number of Conductor Bolts	2+2
AF	19 mm
Shear torque	49 Nm
Bolt Material	Brass
Central Connection Type	None
Central Connection Bolt	N/A
AF	N/A mm
Shear Torque	N/A Nm
Bolt Material	N/A
Connection Bolt Removable	N/A
AF	N/A mm
Conductor Cross Section Range	
Solid Aluminium	N/A mm ²
Stranded Aluminium	150-185 mm ²
Stranded Copper	150-185 mm ²
Stranded Flexible Copper	N/A mm ²
Overall Length	110 mm
Diameter	35 mm
Weight (each)	350 g
Shipping Quantity (min)	20 pieces
Test Standard	IEC 61238

*Technical Information subject to change without notice.

Accessories

BMHOLDER	Connector brace for use on installation
59020	Mastic filler kit (Pack of 6 Strips)
8706401	Brass Centralising Range Extension Sleeve for 70-95mm ² (Str Al/Cu)