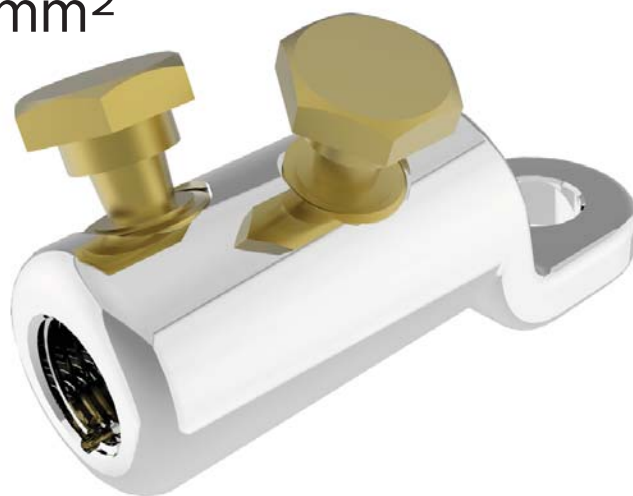


BMHL240TAD1M12

Indoor/Outdoor Lug

95-240 mm²



BI **CON**TM

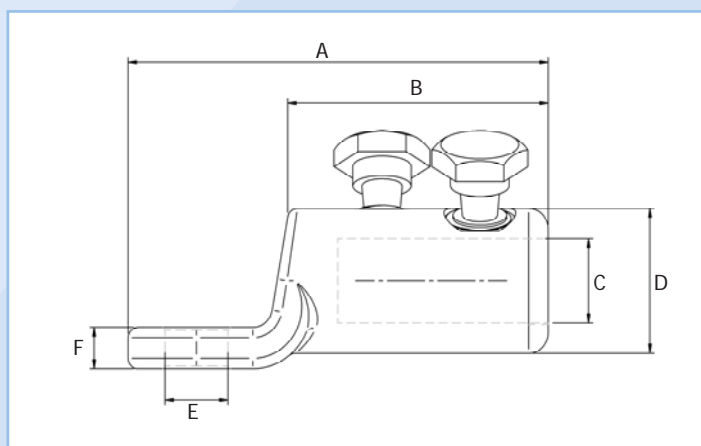
Application

Power cables with copper and aluminium conductors.
Can be used with cold shrink and heat shrink indoor
and outdoor terminations.
For 12mm stud fixings.

Features

Profiled bores to enhance electrical contact and
increase mechanical constraint.
Full compliance with the **electrical** and **mechanical**
requirements of IEC 61238.

BMHL240TAD1M12 Indoor/Outdoor Lug 95-240 mm²



Dimension Details

A	110 mm
B	62 mm
C	20 mm
D	33 mm
E	12.5 mm
F	11.5 mm

Technical Data

Connector Type	Lug (Offset Palm)
Material Reference Number	8707201
Catalogue Number	BMHL240TAD1M12
Connector Material	Tinned Aluminium
Number of Conductor Bolts	2
AF	19 mm
Shear torque	35-40 Nm
Bolt Material	Brass
Palm Configuration	Single Hole
Hole size to suit stud diameter	12 mm
Additional sleeve to suit stud diameter	N/A mm
Slot	None
Slot Width	N/A mm
Slot Length	N/A mm
Conductor Cross Section Range	
Solid Aluminium	120-300 mm ²
Stranded Aluminium	95-240 mm ²
Stranded Copper	95-240 mm ²
Stranded Flexible Copper	N/A mm ²
Overall Length	110 mm
Diameter	33 mm
Weight (each)	244 g
Shipping Quantity (min)	20 pieces
Test Standard	IEC 61238

*Technical Information subject to change without notice.

Accessories

BMHOLDER	Connector brace for use on installation
59020	Mastic filler kit (Pack of 6 Strips)