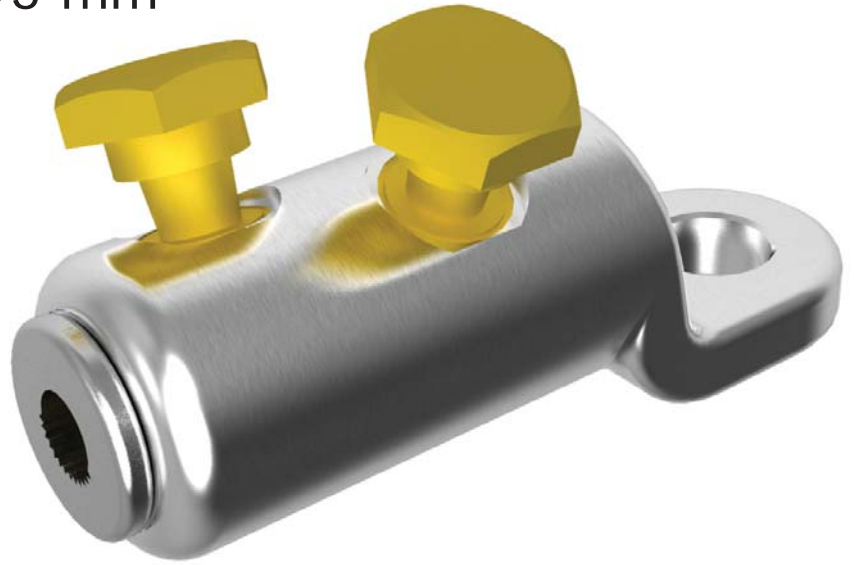


BMHL95TAD1M12

Indoor/Outdoor Lug

10-95 mm²



BI **CON**TM

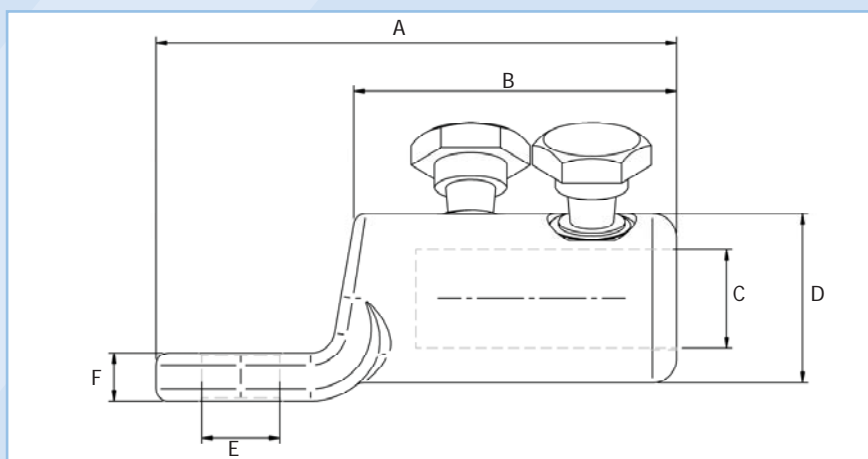
Application

Power cables with copper and aluminium conductors.
Can be used with cold shrink and heat shrink indoor and outdoor terminals.
For 12mm stud fixings.

Features

Profiled bores to enhance electrical contact and increase mechanical constraint.
Full compliance with the **electrical** and **mechanical** requirements of IEC 61238.

BMHL95TAD1M12 Indoor/Outdoor Lugs 10-95 mm²



Dimension Details

A	85 mm
B	51 mm
C	15 mm
D	28 mm
E	12.5 mm
F	8 mm

Technical Data

Connector Type	Lug (Offset Palm)
Material Reference Number	8707101
Catalogue Number	BMHL95TAD1M12
Connector Material	Tinned Aluminium
Number of Conductor Bolts	2
AF	17 mm
Shear torque	27-32 Nm
Bolt Material	Brass
Palm Configuration	Single Hole
Hole size to suit stud diameter	12 mm
Additional sleeve to suit stud diameter	N/A mm
Slot	None
Slot Width	N/A mm
Slot Length	N/A mm
Conductor Cross Section Range	
Solid Aluminium	10-95 mm ²
Stranded Aluminium	10-95 mm ²
Stranded Copper	10-95 mm ²
Stranded Flexible Copper	N/A mm ²
Overall Length	85 mm
Diameter	28 mm
Weight (Each)	148g
Shipping Quantity (min)	20 pieces
Test Standard	IEC 61238

*Technical Information subject to change without notice.

Accessories

BMHOLDER	Connector brace for use on installation
59020	Mastic filler kit (Pack of 6 Strips)
8706902	Centralising Range Extension Sleeve for 10-35mm ²