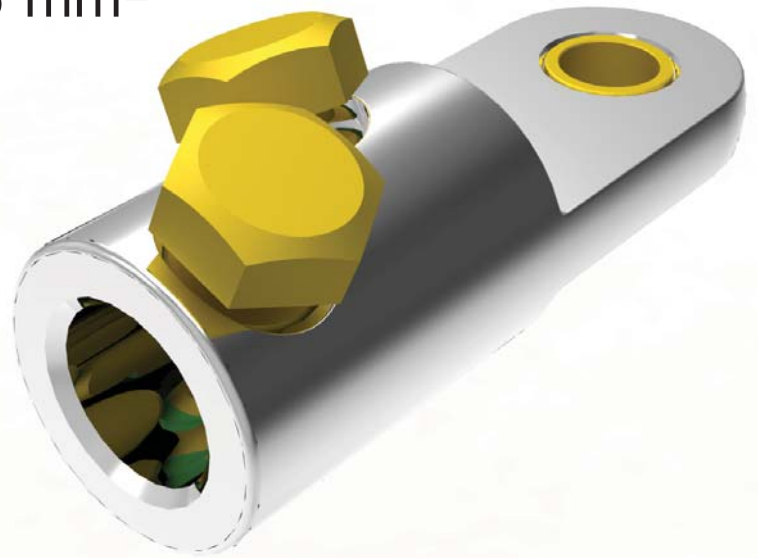


## BMHTI185AS1

Indoor Lug  
95 -185 mm<sup>2</sup>



**BI** **con**™

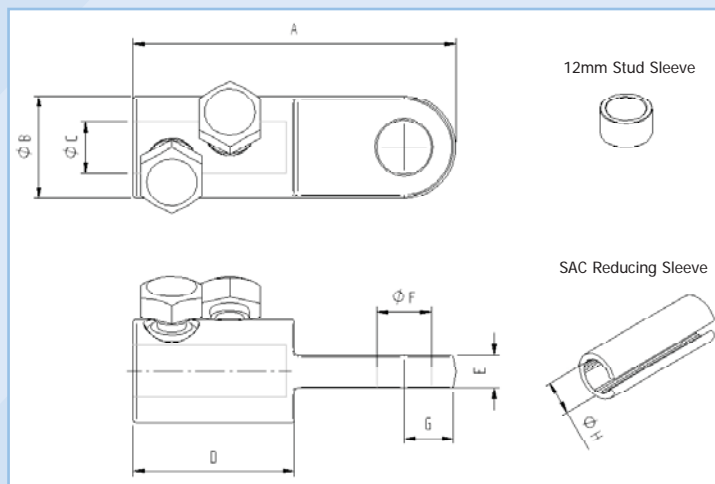
### Application

Power cables with aluminium conductors.  
Can be used with cold shrink and heat shrink indoor terminations. For both 16mm and 12mm stud fixings.

### Features

Profiled bore to enhance electrical contact and increase mechanical restraint.  
Full compliance with the **electrical** and **mechanical** requirements of IEC 61238.

# BMHTI185AS1 Indoor Lug 95-185 mm<sup>2</sup>



## Dimension Details

A	100 mm
B	32 mm
C	16 mm
D	50 mm
E	10 mm
F	16.5 mm
G	16 mm
H	11 mm

## Technical Data

Connector Type	Indoor Lug (Centre Palm)
Material Reference Number	8702401
Catalogue Number	BMHTI185AS1
Connector Material	Aluminium
Number of Conductor Bolts	2
AF	19 mm
Shear torque	34 Nm
Bolt Material	Brass
Palm Configuration	Single Hole
Hole size to suit stud diameter	16 mm
Additional sleeve to suit stud diameter	12 mm
Slot	None
Slot Width	N/A mm
Slot Length	N/A mm
Conductor Cross Section Range	
Solid Aluminium	95-185 mm <sup>2</sup>
Stranded Aluminium	70-150 mm <sup>2</sup>
Stranded Copper	N/A mm <sup>2</sup>
Stranded Flexible Copper	N/A mm <sup>2</sup>
Overall Length	100 mm
Diameter	32 mm
Weight (Each)	200g
Shipping Quantity (min)	20 pieces
Test Standard	IEC 61238

\*Technical Information subject to change without notice.

## Accessories

BMHOLDER	Connector brace for use on installation
59020	Mastic filler kit (Pack of 6 Strips)