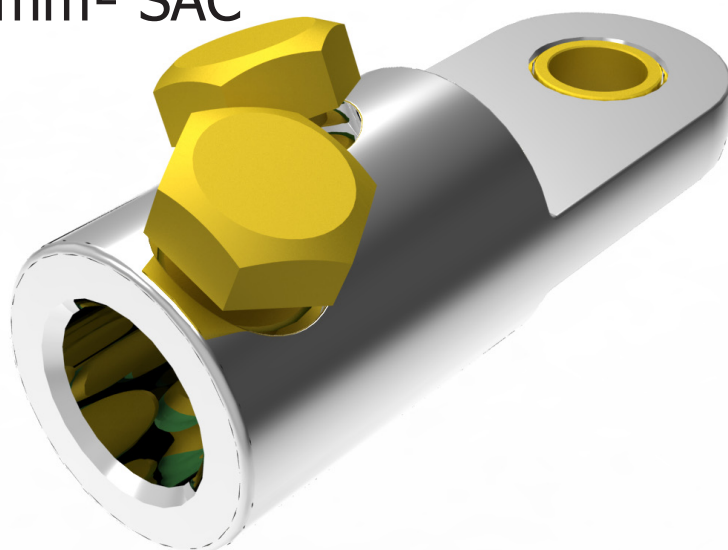


BMHTI300AS1

Indoor Lug
300 mm² SAC



BICONTM

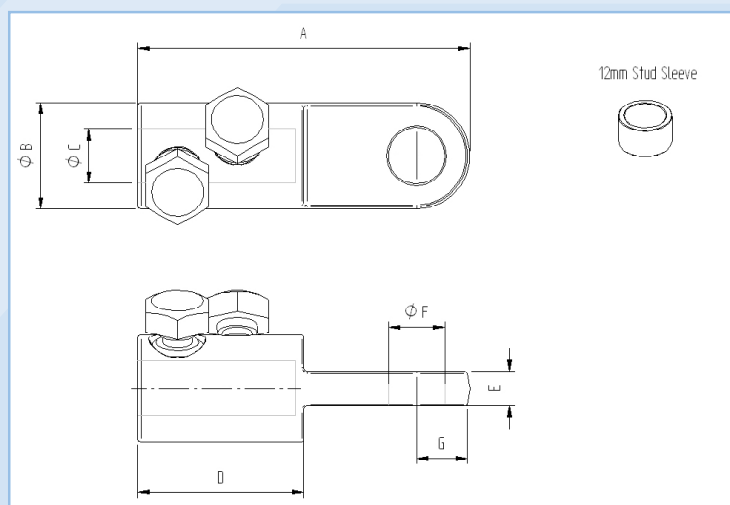
Application

Power cables with aluminium conductors.
Can be used with cold shrink and heat shrink indoor terminations. For both 16mm and 12mm stud fixings.

Features

Profiled bore to enhance electrical contact and increase mechanical restraint.
Full compliance with the **electrical** and **mechanical** requirements of IEC 61238.

BMHTI300AS1 Indoor Lug 300 mm² SAC



Dimension Details

A	102 mm
B	35 mm
C	21 mm
D	50 mm
E	10 mm
F	16.5 mm
G	17.5 mm

Technical Data

Connector Type	Lug (Centre Palm)
Material Reference Number	8702501
Catalogue Number	BMHTI300AS1
Connector Material	Aluminium
Number of Conductor Bolts	2
AF	17 mm
Shear torque	34 Nm
Bolt Material	Brass
Palm Configuration	Single Hole
Hole size to suit stud diameter	16 mm
Additional sleeve to suit stud diameter	12 mm
Slot	None
Slot Width	N/A mm
Slot Length	N/A mm
Conductor Cross Section Range	
Solid Aluminium	300 mm ²
Stranded Aluminium	N/A mm ²
Stranded Copper	N/A mm ²
Stranded Flexible Copper	N/A mm ²
Overall Length	102 mm
Diameter	35 mm
Weight (Each)	200g
Shipping Quantity (min)	20 pieces
Test Standard	IEC 61238

*Technical Information subject to change without notice.

Accessories

BMHOLDER	Connector brace for use on installation
59020	Mastic filler kit (Pack of 6 Strips)