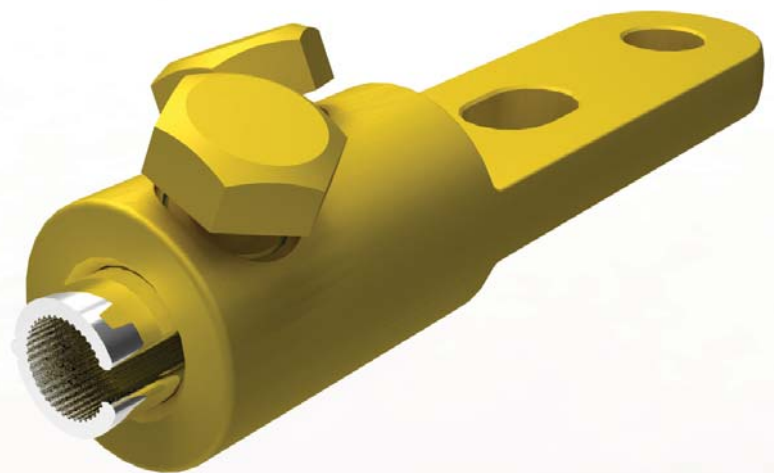


BMHT0185AS2

Indoor/Outdoor Lug

95 -185 mm²



BI **CON**TM

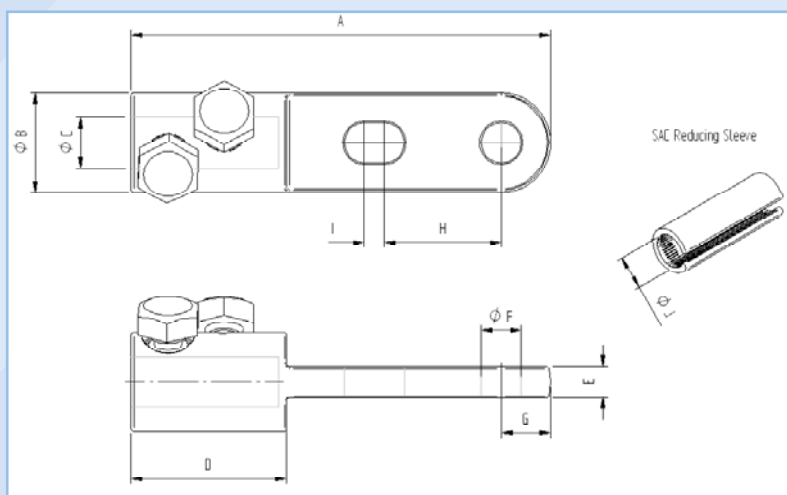
Application

Power cables with copper and aluminium conductors.
Can be used with cold shrink and heat shrink terminations. For 12mm stud fixings.

Features

Profiled bore to enhance electrical contact and increase mechanical restraint.
Full compliance with the **electrical** and **mechanical** requirements of IEC 61238.

BMHTO185AS2 Indoor/Outdoor Lug 95-185 mm²



Dimension Details

| | |
|---|---------|
| A | 135 mm |
| B | 32 mm |
| C | 16.5 mm |
| D | 50 mm |
| E | 10 mm |
| F | 13 mm |
| G | 16 mm |
| H | 37.5 mm |
| I | 6.5mm |
| J | 11mm |

Technical Data

| | |
|---|---------------------------|
| Connector Type | Lug (Centre Palm) |
| Material Reference Number | 8705301 |
| Catalogue Number | BMHTO185AS2 |
| Connector Material | Brass |
| Number of Conductor Bolts | 2 |
| AF | 19 mm |
| Shear torque | 34 Nm |
| Bolt Material | Brass |
| Palm Configuration | Single Hole + Single Slot |
| Hole size to suit stud diameter | 12 mm |
| Additional sleeve to suit stud diameter | N/A mm |
| Slot | Yes |
| Slot Width | 13 mm |
| Slot Length | 19.5 mm |
| Conductor Cross Section Range | |
| Solid Aluminium | 95-185 mm ² |
| Stranded Aluminium | 70-150 mm ² |
| Stranded Copper | 70-150 mm ² |
| Stranded Flexible Copper | N/A mm ² |
| Overall Length | 135 mm |
| Diameter | 32 mm |
| Weight (Each) | 500g |
| Shipping Quantity (min) | 20 pieces |
| Test Standard | IEC 61238 |

*Technical Information subject to change without notice.

Accessories

| | |
|----------|---|
| BMHOLDER | Connector brace for use on installation |
| 59020 | Mastic filler kit (Pack of 6 Strips) |