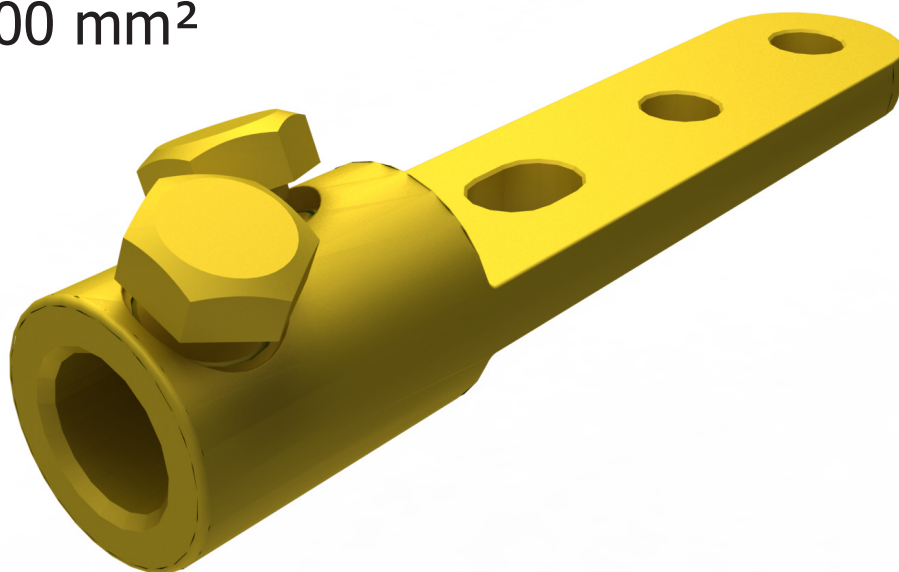


## BMHT0300AS3

Indoor/Outdoor Lug  
300 mm<sup>2</sup>



**BICon**<sup>TM</sup>

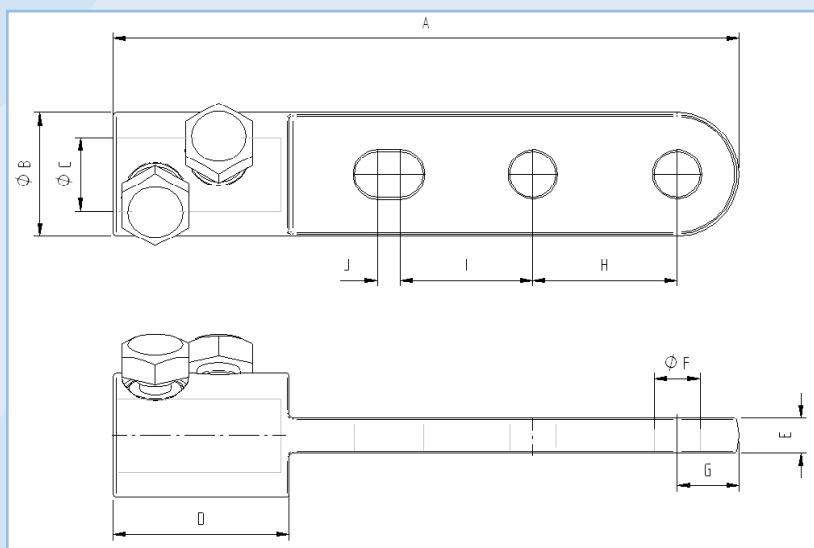
### Application

Power cables with aluminium conductors.  
Can be used with cold shrink and heat shrink terminations. For 12mm stud fixings.

### Features

Profiled bore to enhance electrical contact and increase mechanical restraint.  
Full compliance with the **electrical** and **mechanical** requirements of IEC 61238.

## BMHTO300AS3 Indoor/Outdoor Lug 300 mm<sup>2</sup>



### Dimension Details

A	178 mm
B	35 mm
C	20.5 mm
D	50 mm
E	10 mm
F	13 mm
G	17.5 mm
H	41 mm
I	37.5 mm
J	6.5 mm

## Technical Data

Connector Type	Lug (Centre Palm)
Material Reference Number	8702701
Catalogue Number	BMHTO300AS3
Connector Material	Brass
Number of Conductor Bolts	2
AF	17 mm
Shear torque	34 Nm
Bolt Material	Brass
Palm Configuration	2 Holes + Single Slot
Hole size to suit stud diameter	12 mm
Additional sleeve to suit stud diameter	N/A mm
Slot	Yes
Slot Width	13 mm
Slot Length	19.5 mm
Conductor Cross Section Range	
Solid Aluminium	300 mm <sup>2</sup>
Stranded Aluminium	N/A mm <sup>2</sup>
Stranded Copper	N/A mm <sup>2</sup>
Stranded Flexible Copper	N/A mm <sup>2</sup>
Overall Length	178 mm
Diameter	35 mm
Weight (Each)	645g
Shipping Quantity (min)	10 pieces
Test Standard	IEC 61238

\*Technical Information subject to change without notice.

## Accessories

BMHOLDER	Connector brace for use on installation
59020	Mastic filler kit (Pack of 6 Strips)