



Datacom Connectivity



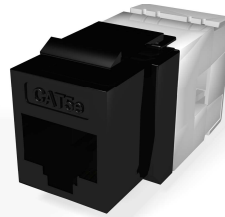
Cat5e UTP 180°Keystone Jack

Issue date: 10-09-17

Supersedes: 02/10



Value Innovation is a way of looking at the world. By combining market insight with technological know-how and building strong, long-lasting relationships, we add value to your business with advanced communication solutions and services that are designed to last. No matter how complex your challenge, we have a product or solution that will do more than meet your needs. New applications, breakthrough cables or complete network designs - it's all part of what we call Value Innovation, and it's what drives us.



Cat5e UTP 180°Keystone Jack

- Cat5e compliant performance
- Fully compatible with our full range of faceplates
- Fits into 25 mm back-box
- Fits into standard floor box plates

Specification

Item

RJ45 Plastic housing
 RJ45 jack contact material and finish

Description

ABS + PC
 Phosphor Bronze
 Contact area : Min 3 mm 50 micro-inch Gold plated over Nickel colour

IDC terminal and finish

Phosphor Bronze with min, 50 micro-inch Tin plated

Wire size compatibility

23-26 AWG solid wire

Housing

ABS

Dimensions

31mm x 21mm x 16.5mm

Performance

IDC cap colour code supports both wiring schemes TIA 568A & 568B

Insertion force

900 gm for 8 contacts

Retention strength

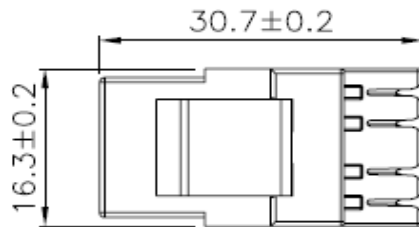
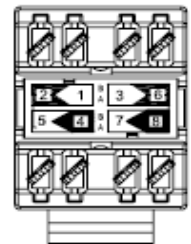
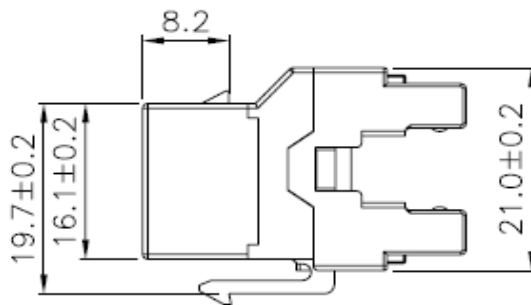
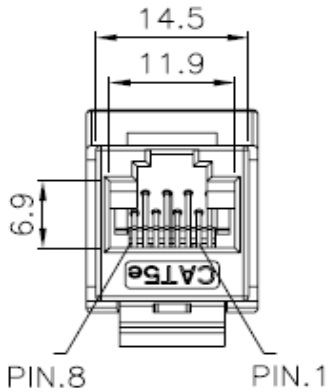
7.7kg between jack and plug

Operating temperature

-10°C to 60°C

Durability

Jack 750 cycles



Technical data

Material code	SAP Description	Material Description	Weight	Items per packaging unit
1021255	UC C300 MJ TR U BK	Cat5e UTP Keystone Jack 180°	11.7g	1 or 50

Related Products

Material code	SAP Description	Material Description	Weight	Items per packaging unit
1021284	UC C300 PP U BK 24 1U	1U 24port UTP Cat5e Keystone Panel	720 g	1 or 15
1021333	UC CACC AA 01 EU	Angled Single Port Adaptor 25 x 50	8 g	1 or 50
1021337	UC CACC MA 01 6C	LJ6C Flat Single Adaptor 38 x 25	8 g	1 or 50
1021338	UC CACC AA 01 6C	LJ6C Angled Single Adaptor 38 x 25	8 g	1 or 50
1021329	UC CACC MA 01 EU	Flat Single Port Adaptor 25 x 50	8 g	1 or 50