



Draka

Draka UC^{Connect} ACC

Dual Port UK Frame (LJ6C Type)



Datacom Connectivity



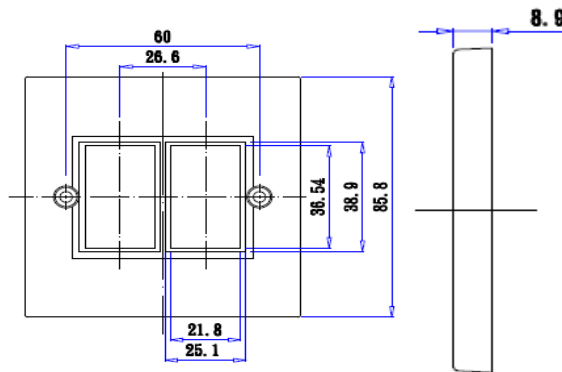
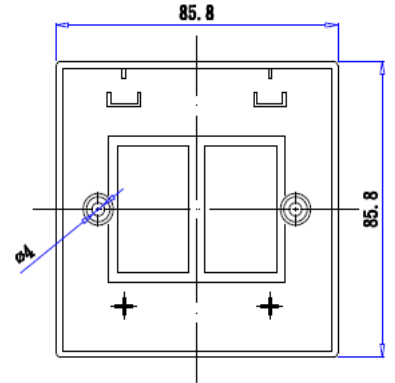
Dual Port UK Frame (LJ6C Type)

Issue date: 10-11-12

Supersedes: -



Value Innovation is a way of looking at the world. By combining market insight with technological know-how and building strong, long-lasting relationships, we add value to your business with advanced communication solutions and services that are designed to last. No matter how complex your challenge, we have a product or solution that will do more than meet your needs. New applications, breakthrough cables or complete network designs - it's all part of what we call Value Innovation, and it's what drives us.



Technical data

Material code	SAP Description	Material Description	Weight	Items per packaging unit
1021332	UC CACC FP 02 6C	Dual Port UK Frame 86 x 86 (LJ6C Type)	23g	1 or 50
Related Products				
Material code	SAP Descriptions	Material Description	Weight	Items per packaging unit
1021254	UC C300 MO TR U WH	Cat5e UTP 38 x 25 Module	11.7g	1 or 50
1021267	UC 400 MO TR U WH	Cat6 UTP 38 x 25 Module	11.7g	1 or 50
1021337	UC CACC MA 01 6C	LJ6C Flat Single Adaptor 38 x 25	8g	1 or 50
1021338	UC CACC AA 01 6C	LJ6C Angled Single Adaptor 38 x 25	8g	1 or 50

* All our UC Range of modules and adaptors are compatible with MK K18x Faceplates.

Draka Communications

connectivity.sales@draka.com
www.draka.com/connectivity

UK:

Tel: +44 (0) 191 415 50 00 Fax: +44 (0) 191 415 82 778