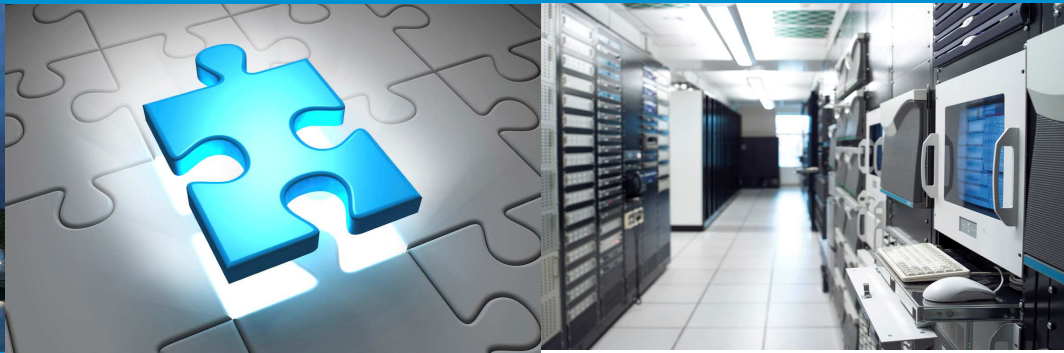




Datacom Connectivity



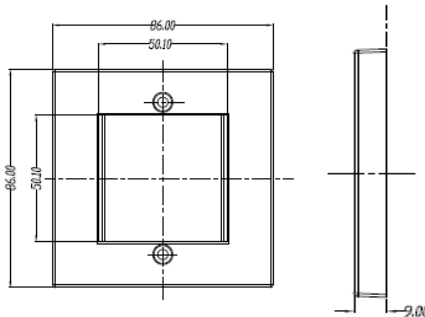
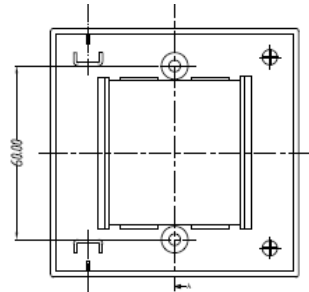
European Flush Faceplate (86x86)

Issue date: 10-11-12

Supersedes: -



Value Innovation is a way of looking at the world. By combining market insight with technological know-how and building strong, long-lasting relationships, we add value to your business with advanced communication solutions and services that are designed to last. No matter how complex your challenge, we have a product or solution that will do more than meet your needs. New applications, breakthrough cables or complete network designs - it's all part of what we call Value Innovation, and it's what drives us.



Technical data

Material code	SAP Description	Material Description	Weight	Items per packaging unit
1021334	UC CACC FP 2 EU	European Flush Plate 86 x 86	23g	1 or 50

Related Products

Material code	SAP Description	Material Description	Weight	Items per packaging unit
1021253	UC C300 MS TR U WH	Cat5e UTP 50 x 25 Module	11.7g	1 or 50
1021266	UC C400 MS TR U WH	Cat6 UTP 50 x 25 Module	11.7g	1 or 50
1021333	UC CACC AA 01 EU	Angled Single Port Adaptor 25 x 50	8g	1 or 50
1021329	UC CACC MA 01 EU	Flat Single Port Adaptor 25 x 50	8g	1 or 50
1021321	UC CACC BI 1/2 EU	12.5 x 25 Blank Insert	3.1g	1 or 50
1021336	UC CACC BI 01 EU	25 x 50 Blank Insert	4g	1 or 50

* All our UC Range of modules and adaptors are compatible with MK K18x Faceplates.

Draka Communications

connectivity.sales@draka.com

www.draka.com/connectivity

UK:

Tel: +44 (0) 191 415 50 00

Fax: +44 (0) 191 415 82 778