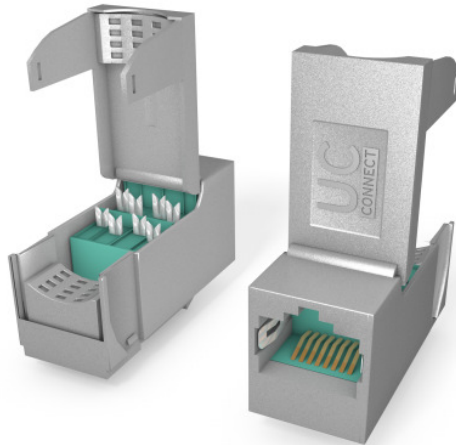


UC^{CONNECT} Cat6A FTP Keystone Jack 90° Tool-less in Silver



Cat6A Shielded Tool-Less 90° Keystone Jack

- Easy install facilitated by tool free wire termination
- Fully compatible with our full range of faceplates, adapters and boxes
- PoE+ IEEE 802.3at suitable for power over Ethernet +
- 10Gigabit Component level compliance to ISO/IEC 11801:2002 (including Amendment 2 – 2nd Edition), Amendment 2 to GENELEC EN 50173-1 (2010) and IEC 60603-7-51, ANSI TIA 568-C.2
- Easy install facilitated by tool free wire termination
- Fully compatible with our full range of faceplates, adapters and boxes
- Fits into 32 mm back-box/floor-box/grid box with angled adapter

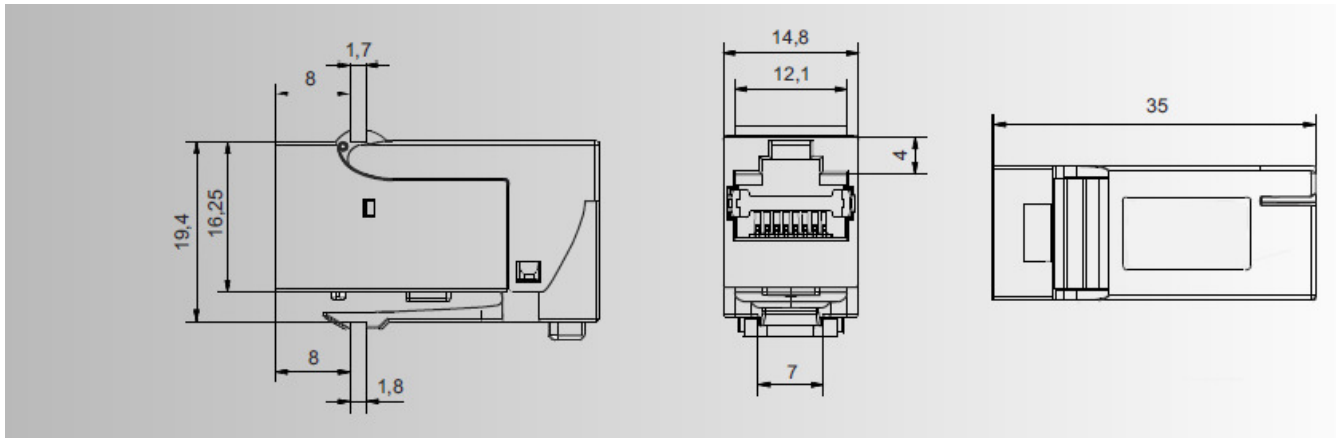


Specification

| Item | Description |
|-------------------------|-------------------------------|
| Material Housing | Zinc Die Casting PA |
| Insulation Material | PC White |
| Contact Area | 30 μ Gold Plated |
| Wire size compatibility | 5-10 mm |
| Connection class | IP20 |
| Dimensions | 19.3 x 14.7 mm 19.3 x 14.7 mm |
| Performance | |
| Contact resistance | ≤20 mΩ |
| Insulation resistance | ≥500 MΩ |
| Operating temperature | -40 °C - +70 °C |
| Durability | 750 Mating Cycles |

UC^{CONNECT} Cat6A FTP Keystone Jack 90° Tool-less in Silver

Construction



Technical data

| Material Code | Material Description | Description Code | Weight | Items per Packaging Unit | |
|-------------------------|----------------------|---------------------------------------------------------------------------|-----------------------|--------------------------|---------|
| N/A | YMJB00296 | Cat6A (Solid) FTP Keystone Jack 90° Tool-less in Silver | UC C500 MJ TF S V3 | 20g | 1 or 24 |
| N/A | YMJB00297 | Cat6A (Stranded) FTP Keystone Jack 90° Tool-less in Silver | UC C500 MJ TF S V4 | 20g | 1 or 24 |
| Related Products | | | | | |
| Material Code | Material Description | Description Code | Weight | Items per Packaging Unit | |
| N/A | YPPBP00298 | 1U 24port FTP Cat6A Keystone Panel, Rear Management in Black | UC C500 PP S BK 24 V1 | 720g | 1 or 15 |
| N/A | YPPBP00299 | 1U 24port FTP Cat6A Angled Keystone Panel, Rear Management in Black | UC C500 PP VP S BK 24 | 720g | 1 or 15 |
| N/A | YPPBP00300 | 1U 24port FTP Cat6A ½U Keystone Panel, Rear Management in Stainless Steel | UC C500 PP HP S BK 24 | 720g | 1 or 15 |
| 1021333 | YAABP00127 | Angled Single Port Adaptor 25 X 50 | UC CACC AA 01 EU | 8g | 1 or 50 |
| 1021337 | YMABP00131 | LJ6C Flat Single Adaptor 38 X 25 | UC CACC MA 01 6C | 8g | 1 or 50 |
| 1021338 | YAABP00132 | LJ6C Angled Single Adaptor 38 x 25 | UC CACC AA 01 6C | 8g | 1 or 50 |
| 1021329 | YMABP00123 | Flat Single Adaptor 25 x 50 | UC CACC MA 01 EU | 8g | 1 or 50 |

© PRYSMIAN GROUP 2013, All Rights Reserved

All sizes and values without tolerances are reference values. Specifications are for product as supplied by Prysmian Group: any modification or alteration afterwards of product may give different result.

The information contained within this document must not be copied, reprinted or reproduced in any form, either wholly or in part, without the written consent of Prysmian Group. The information is believed to be correct at the time of issue. Prysmian Group reserves the right to amend this specification without prior notice. This specification is not contractually valid unless specifically authorised by Prysmian Group.