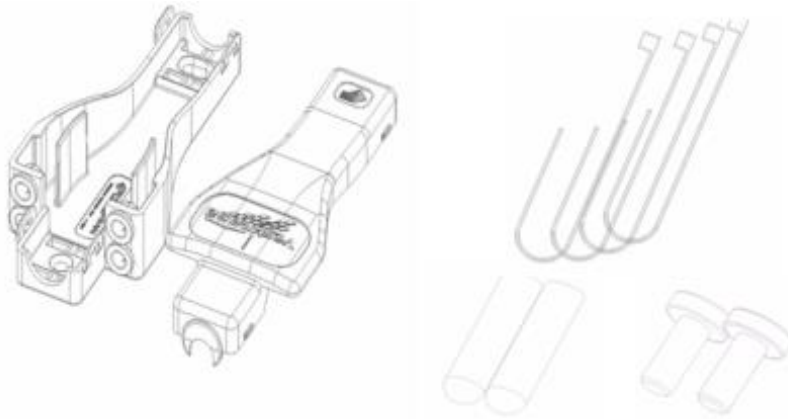


VERTICASA BREAKOUT UNIT – 4 PORT

KIT CONTENTS

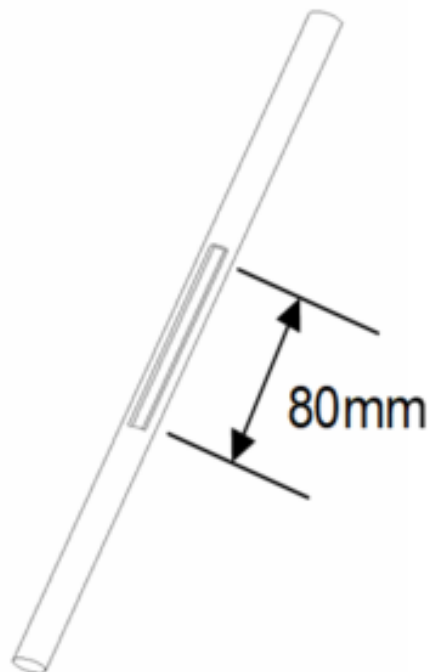


PART No.:	DESCRIPTION	QTY
XCPSG00431	BASE – VERTICASA BREAKOUT UNIT	1
XCPSG00432	COVER – VERTICASA BREAKOUT	1
XXXBP00944	UNIT	
TRAD77010	CABLE TIE	4
20084	WALL PLUG	2
	FIXING SCREW	2
ADDITIONAL ACCESSORIES:	PART No.:	
VERTICASA STRIPPING TOOL 12 FIBRE	XCPSC00567	
VERTICASA STRIPPING TOOL 24/48 FIBRE	XCPSC00568	

VERTICASA BREAKOUT UNIT – 4 PORT

Step 1

STRIP AN 80mm WINDOW IN THE CABLE TO ACCESS THE FIBRE MODULES USING A VERTICASA STRIPPING TOOL.



VERTICASA BREAKOUT UNIT – 4 PORT

Step 2

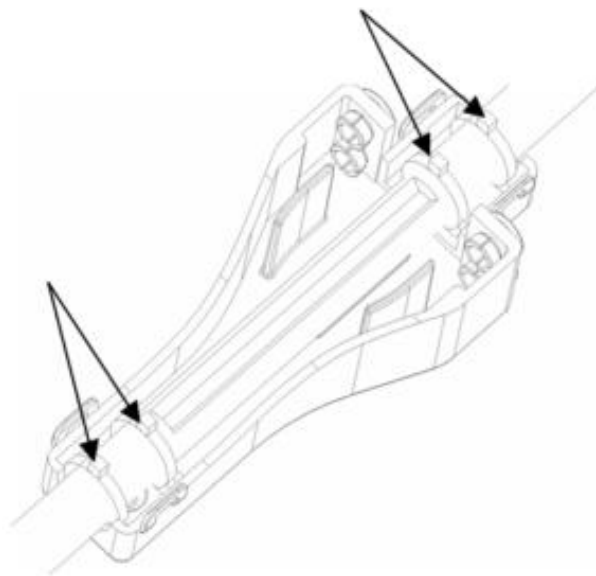
TAKE THE FOUR CABLE TIES AND INSERT THEM THROUGH THE SLOTS IN THE BASE AS SHOWN BELOW. IF THE UNIT IS TO BE FIXED TO THE WALL, FIX IT NOW USING THE FIXINGS PROVIDED.



VERTICASA BREAKOUT UNIT – 4 PORT

Step 3

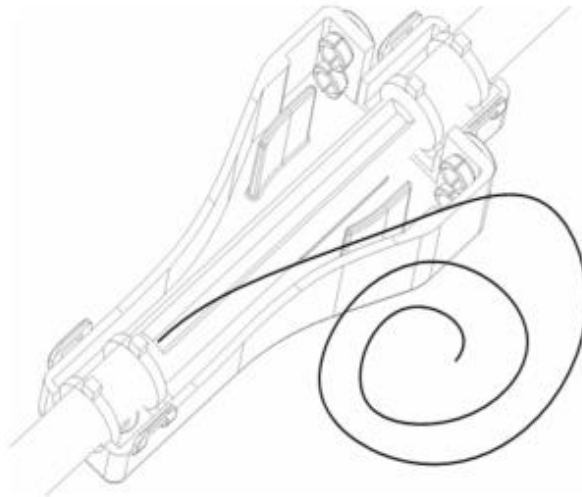
POSITION THE BASE OF THE BOX AROUND THE CABLE SO THAT THE WINDOW CUT IS IN THE CENTRE OF THE BASE.
FULLY TIGHTEN THE CABLE TIES TO SECURE THE CABLE.



VERTICASA BREAKOUT UNIT – 4 PORT

Step 4

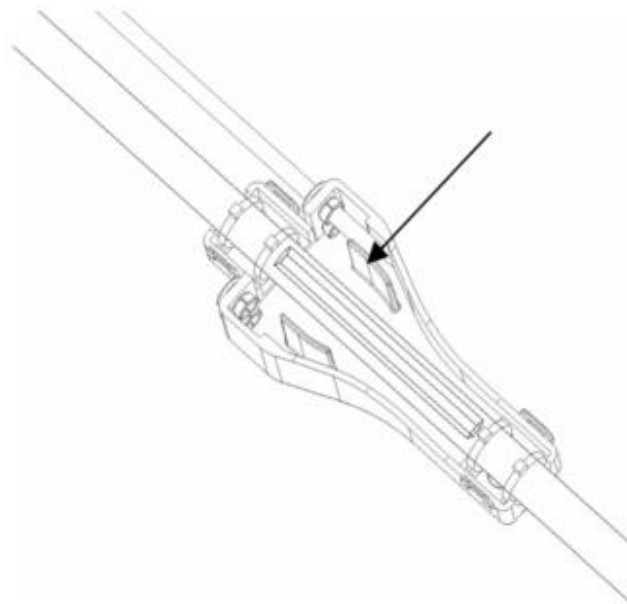
ACCESS THE REQUIRED FIBRE MODULE AND CAREFULLY PULL IT THROUGH THE CABLE UNTIL FREE AS SHOWN.



VERTICASA BREAKOUT UNIT – 4 PORT

Step 5

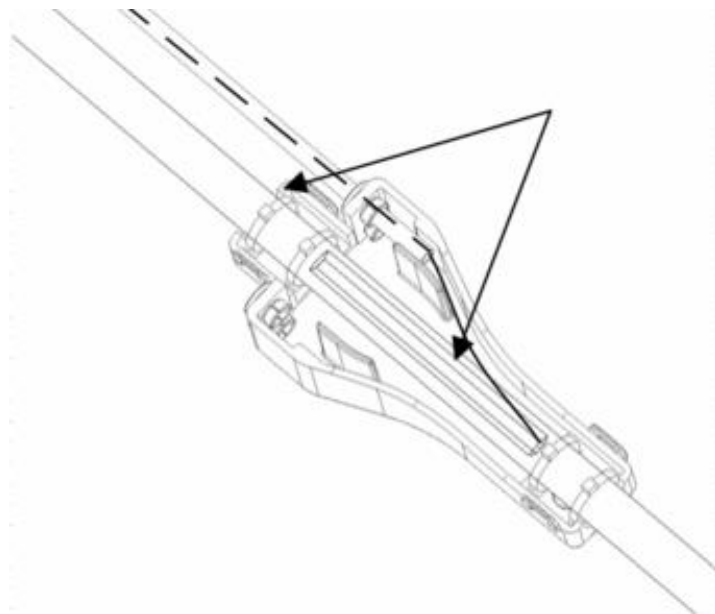
PLUG THE DROP TUBE INTO THE REQUIRED PORT OF THE UNIT.
PUSH THE TUBE THROUGH TO THE GUIDE.



VERTICASA BREAKOUT UNIT – 4 PORT

Step 6

FEED THE FIBRE MODULE THROUGH THE DROP TUBE. REMOVE ANY SLACK AND ENSURE FIBRE IS FREE FROM OTHER MODULES. REPEAT STEPS 4 AND 5 FOR ANY OTHER MODULES TO BE SPURRED OFF.



VERTICASA BREAKOUT UNIT – 4 PORT

Step 7

DETERMINE THE SIZE OF THE VERTICASA CABLE AS BELOW.

FOR 12 FIBRE
VERTICASA CABLES
INSTALL THE COVER
AS IT IS SUPPLIED



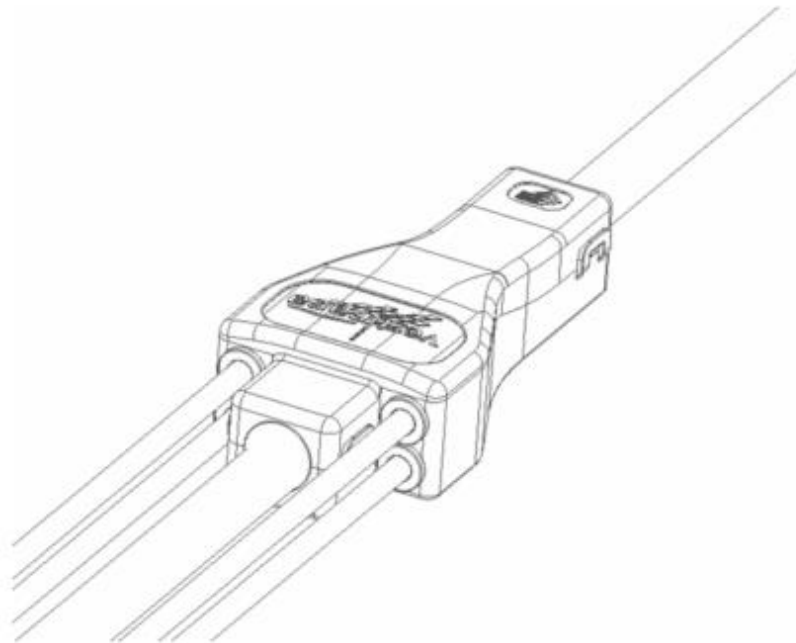
FOR 24 AND 48 FIBRE
VERTICASA CABLES,
BREAK OFF THE END
DUST COVER USING A
PAIR OF LONG NOSE
PLIERS



VERTICASA BREAKOUT UNIT – 4 PORT

Step 8

FIT THE COVER BY LINING UP AND SNAPPING INTO PLACE.



Copyright Prysmian Group - 2022 You may not copy, reprint, or reproduce in any form the content, either wholly or in part, of this Installation Guide, without the written permission of the copyright owner. Specifications are for product as supplied by Prysmian Group; any modification or alteration afterwards of product may give different result. The information is believed to be correct at the time of issue. Prysmian Group reserves the right to amend the information within this Installation Guide without prior notice. This Installation Guide may include inaccuracies, omissions of content and of information and is not contractually valid unless specifically authorised by Prysmian Group. Property of Prysmian Group UK - Uncontrolled when printed Prysmian Cables & Systems Limited, Chickenhall Lane, Eastleigh, Hampshire, SO50 6YU, United Kingdom

PRYSMIAN HELPLINE: + 44 (0) 78161916333
connectivity.help@prysmiangroup.com

Page 9 of 9