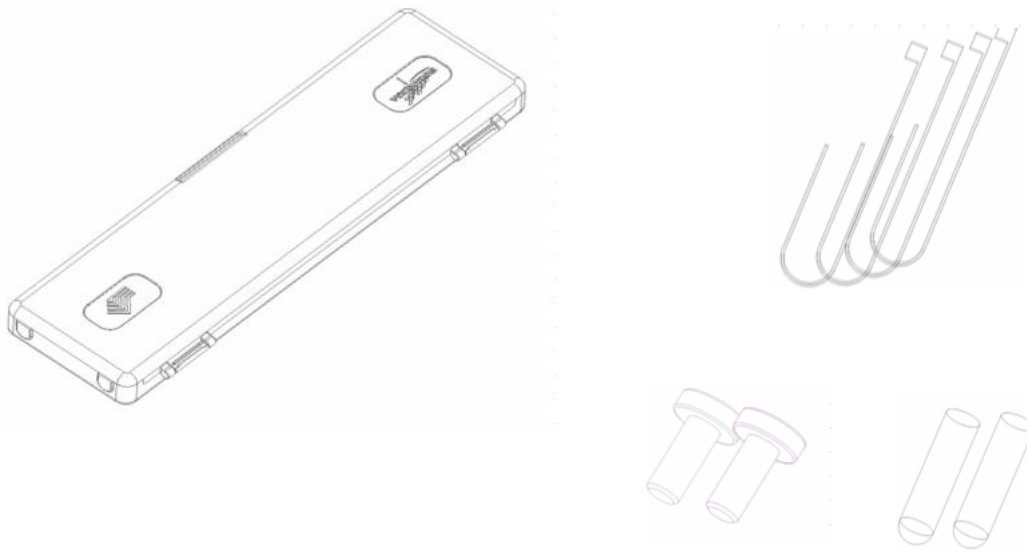


## VERTICASA MECHANICAL SPLICE HOLDER

### KIT CONTENTS

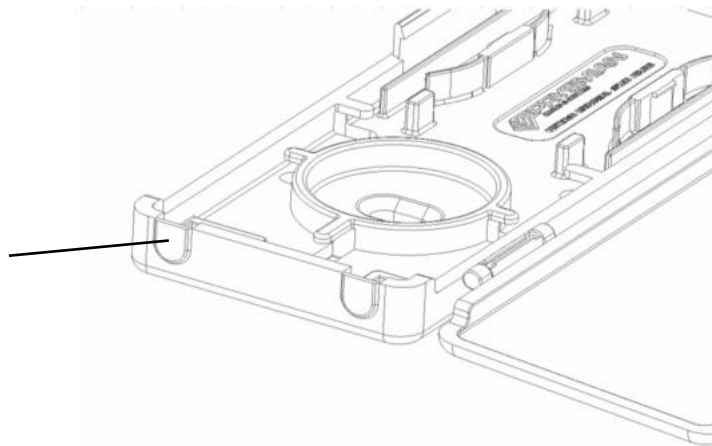


<b>PART No.:</b>	<b>DESCRIPTION</b>	<b>QTY</b>
XCPSTG00429	BASE – VERTICASA MSH	1
XCPSTG00430	COVER – VERTICASA MSH	1
XXXBP00009	CABLE TIE	4
TRAD77010	WALL PLUGS	2
20084	FIXING SCREWS	2

## VERTICASA MECHANICAL SPLICE HOLDER

### Step 1

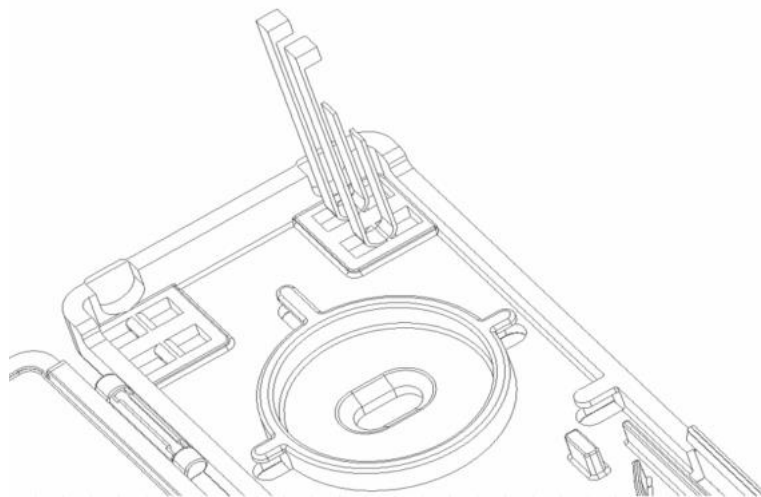
IDENTIFY THE REQUIRED PORTS THAT NEED TO BE ENTERED AND BREAK OUT THE CUT-OUT USING A PAIR OF LONG NOSE PLIERS.



## VERTICASA MECHANICAL SPLICE HOLDER

### Step 2

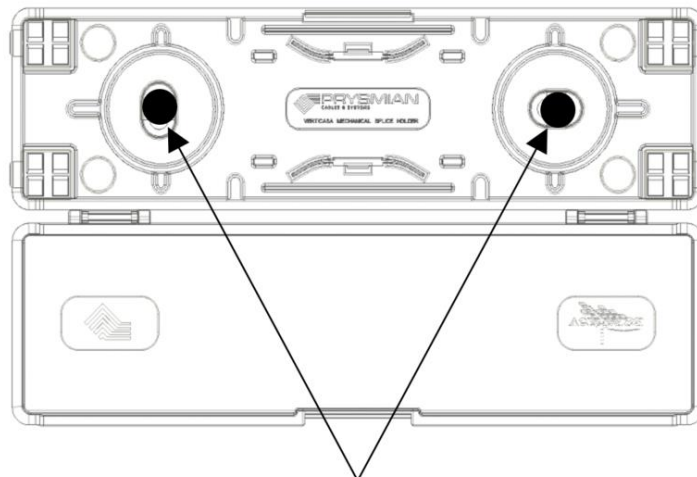
THREAD TWO CABLES TIES THROUGH THE SLOTS AT THE CABLE ENTRY. DOING THIS NOW BEFORE SECURING THE BOX TO THE WALL EASES INSTALLATION LATER.



## VERTICASA MECHANICAL SPLICE HOLDER

### Step 3

MOUNT THE BOX TO THE WALL USING THE FIXING SCREWS AND WALL PLUGS PROVIDED. THE TWO MOUNTING POSITIONS ARE INSIDE THE CENTRAL MANDRELS. THE BOX SHOULD BE MOUNTED WITH THE COVER HANGING DOWN AS SHOWN.

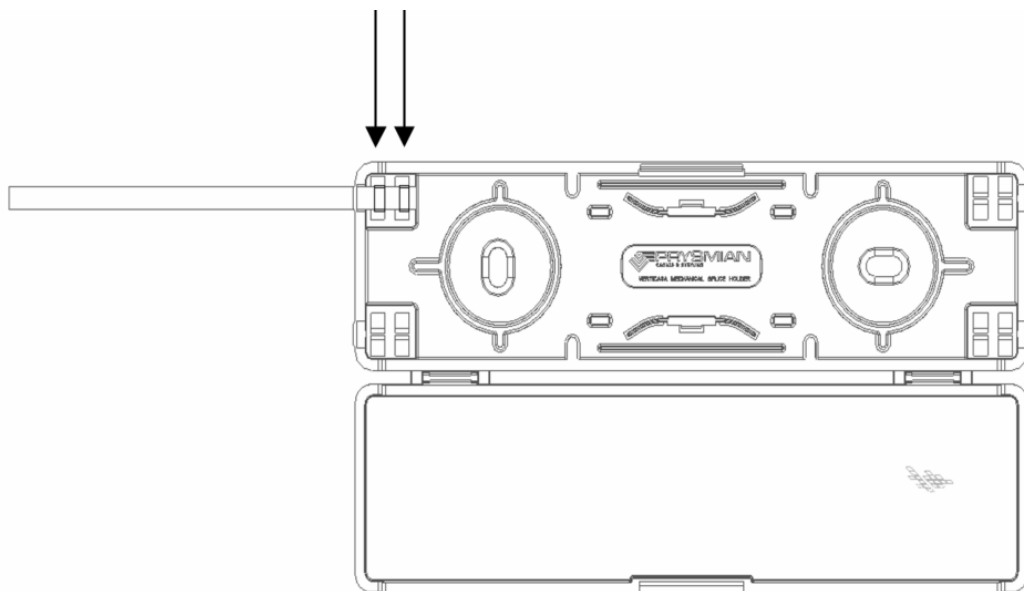


MOUNTING POSITIONS

## VERTICASA MECHANICAL SPLICE HOLDER

### Step 4

POSITION THE CABLE INTO THE BASE OF THE UNIT AND SECURE IT USING THE TWO CABLE TIES.



## VERTICASA MECHANICAL SPLICE HOLDER

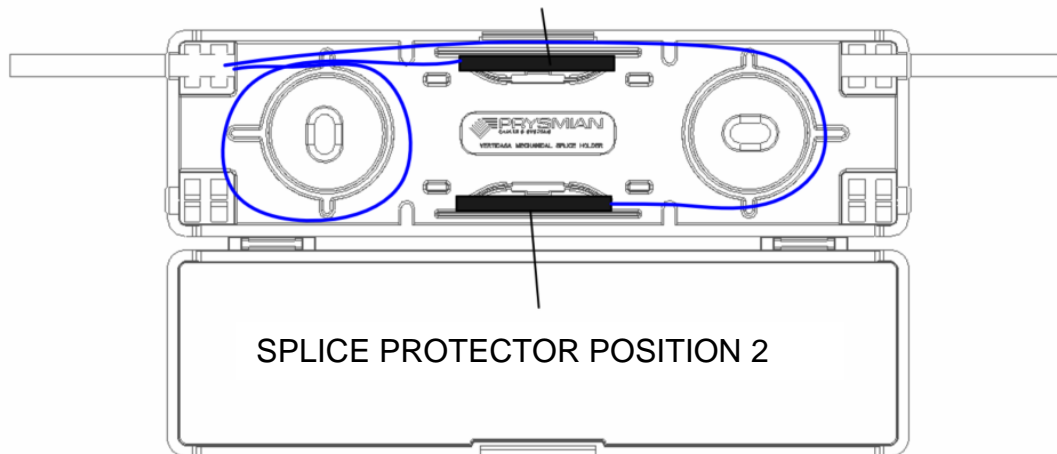
### Step 5

FOR CABLE ROUTING AND SPLICING FOLLOW THE DIAGRAMS OPPOSITE.

### EXAMPLES OF ROUTING

2 FIBRE CABLE

SPLICE PROTECTOR POSITION 1



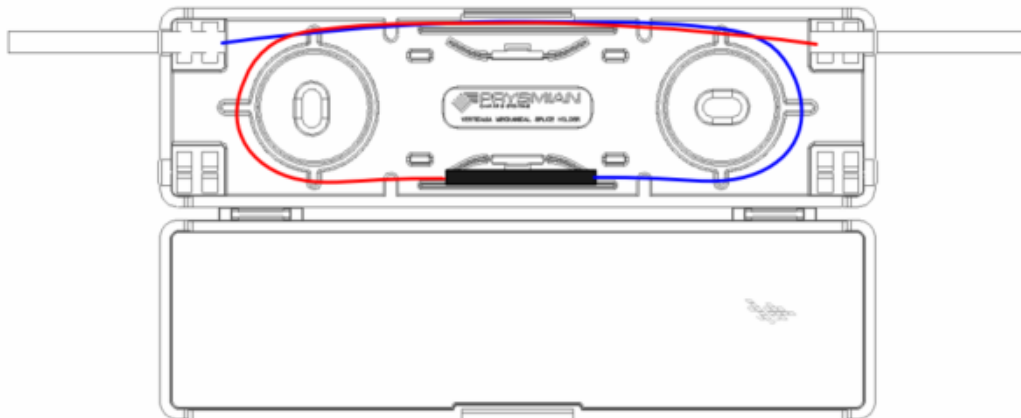
SPLICE PROTECTOR POSITION 2

## VERTICASA MECHANICAL SPLICE HOLDER

### Step 5 continuation

### EXAMPLES OF ROUTING

#### SINGLE FIBRE CABLE TO CABLE



#### DUAL FIBRE CABLE TO CABLE

