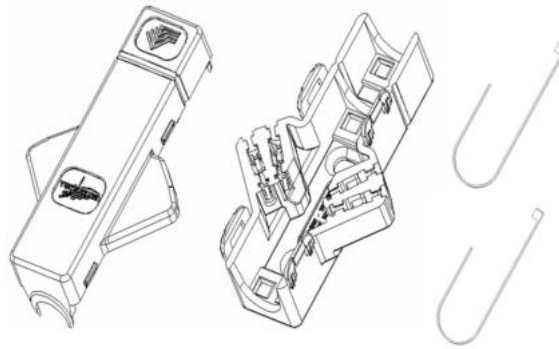


VERTICASA BREAKOUT UNIT – 8 PORT

KIT CONTENTS

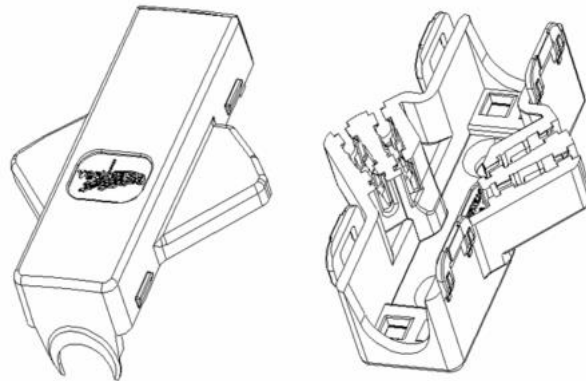


PART No.:	DESCRIPTION	QTY
XCPST01015	BASE – VERTICASA BREAKOUT UNIT 8 PORT	1
XCPST01016	COVER – VERTICASA BREAKOUT UNIT 8 PORT	1
XXXBP00944	CABLE TIE	2
ADDITIONAL ACCESSORIES:		PART No.:
VERTICASA STRIPPING TOOL 12 FIBRE		XCPST00567
VERTICASA STRIPPING TOOL 24/48 FIBRE		XCPST00568
VERTICASA STRIPPING TOOL COMPACT		XCPST01192

VERTICASA BREAKOUT UNIT – 8 PORT

Step 1

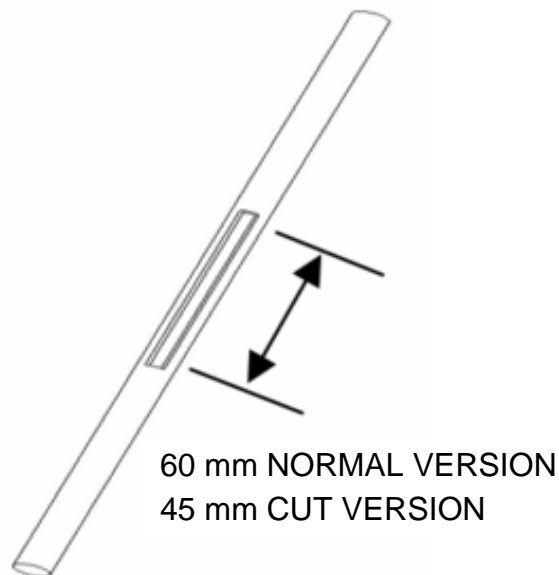
IF YOU DON'T HAVE ENOUGH SPACE FOR INSTALLING THE UNIT REMOVE THE UPPER PART OF BOTH BASE AND COVER WITH A PLIERS USING THE V GROOVES.



VERTICASA BREAKOUT UNIT – 8 PORT

Step 2

STRIP WINDOW IN THE CABLE TO ACCESS THE FIBRE MODULES USING A VERTICASA STRIPPING TOOL.



VERTICASA BREAKOUT UNIT – 8 PORT

Step 3

TAKE THE TWO CABLE TIES AND INSERT THEM THROUGH THE SLOTS IN THE BASE AS SHOWN BELOW.

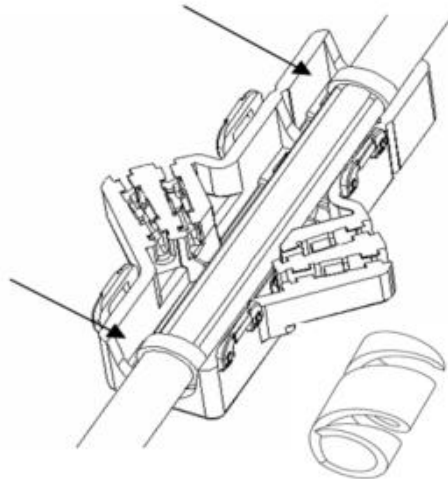
IF THE UNIT IS TO BE FIXED TO THE WALL, FIX IT NOW USING THE FIXINGS PROVIDED.

VERTICASA BREAKOUT UNIT – 8 PORT

Step 4

POSITION THE BASE OF THE BOX AROUND THE CABLE SO THAT THE WINDOW CUT IS IN THE CENTRE OF THE BASE. FULLY TIGHTEN THE CABLE TIES TO SECURE THE CABLE.

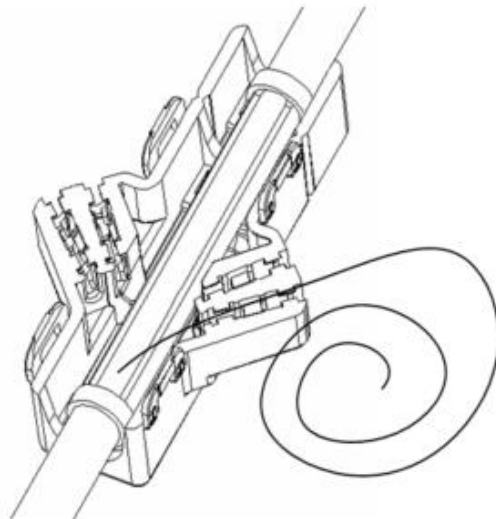
IF THE CUT WINDOW IS REMOVED USING A PAIR OF SCISSORS, THEN APPLY A SPIRAL WRAP ON THE CABLE BEFORE CLOSING THE CABLE TIES ON THE SIDE CUT WITH SCISSORS.



VERTICASA BREAKOUT UNIT – 8 PORT

Step 5

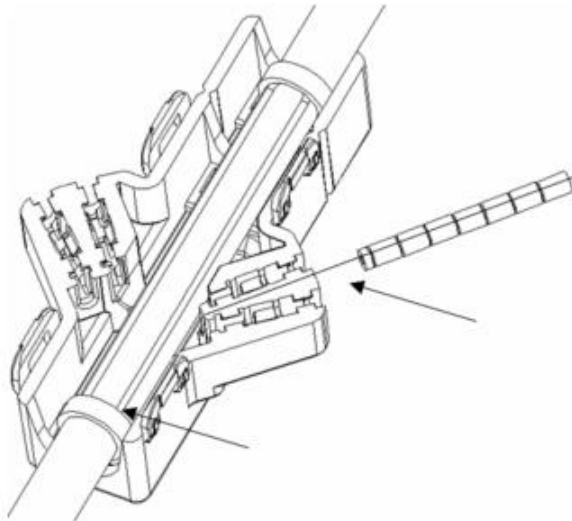
ACCESS THE REQUIRED FIBRE MODULE AND CAREFULLY PULL IT THROUGH THE CABLE UNTIL FREE AS SHOWN.



VERTICASA BREAKOUT UNIT – 8 PORT

Step 6

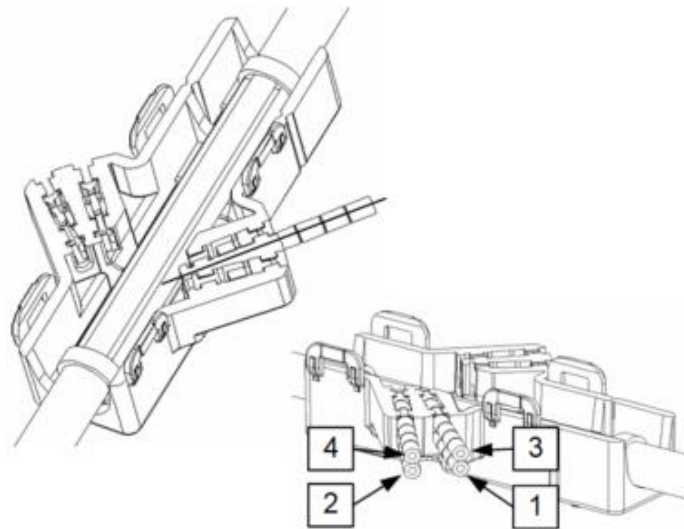
FEED THE FIBRE MODULE THROUGH THE DROP TUBE.



VERTICASA BREAKOUT UNIT – 8 PORT

Step 7

PLUG THE DROP TUBE INTO THE REQUIRED PORT OF THE UNIT. PUSH THE TUBE THROUGH TO THE GUIDE. NOTE. THE PORT HAVE TO SELECTED WITH THE ORDER REPORTED ASIDE.



VERTICASA BREAKOUT UNIT – 8 PORT

Step 8

DETERMINE THE SIZE OF THE VERTICASA CABLE AS BELOW:

FOR VERTICASA CABLES
WITH A DIAMETER
SMALLER < 9 mm INSTALL
THE COVER AS IT IS
SUPPLIED.



FOR VERTICASA CABLES
WITH A DIAMETER
BIGGER > 9 mm
BREAK OFF THE END
DUST COVER USING A
PAIR OF LONG NOSES
PLIERS.



VERTICASA BREAKOUT UNIT – 8 PORT

Step 9

FIT THE COVER BY LINING UP AND SNAPPING INTO PLACE.

