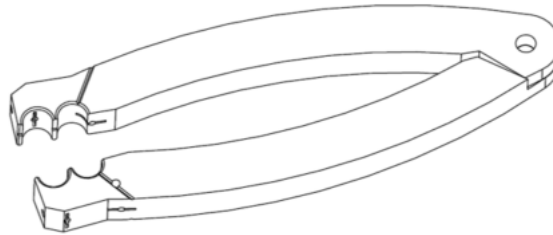


VERTICASA STRIPPING TOOL COMPACT

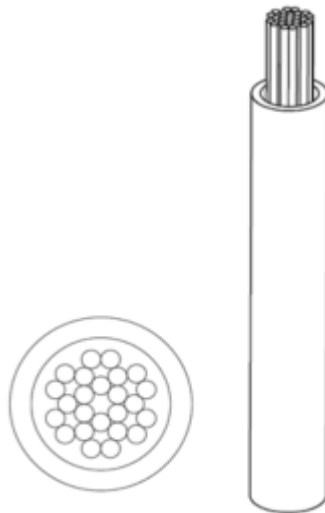
KIT CONTENTS



STRIPPING TOOL PREPARATION:

THE STRIPPING TOOL CAN ONLY BE USED ON 7.5 to 9.0 mm CABLES WITH NO GRP INCAPSULATED IN THE SHEATH.

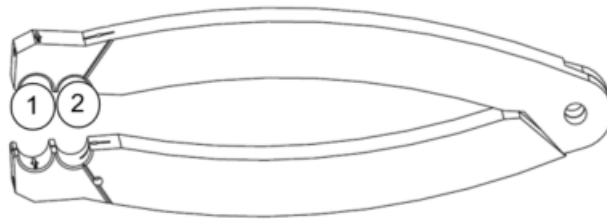
CHECK THE CABLE TYPE USED.



VERTICASA STRIPPING TOOL COMPACT

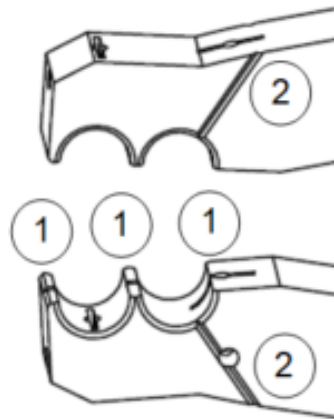
THE STRIPPING TOOL COMPACT HAS TWO CUT POSITIONS:

1. LONGITUDINAL CUT
2. TRANSVERSAL CUT



IT HAS ALSO TWO SETS OF REFERENCE LINES FOR:

1. LONGITUDINAL CUT
2. TRANSVERSAL CUT



VERTICASA STRIPPING TOOL COMPACT

Step 1

MARK THE CABLE TO DEFINE THE WINDOW CUT POSITION AND LENGTH.



VERTICASA STRIPPING TOOL COMPACT

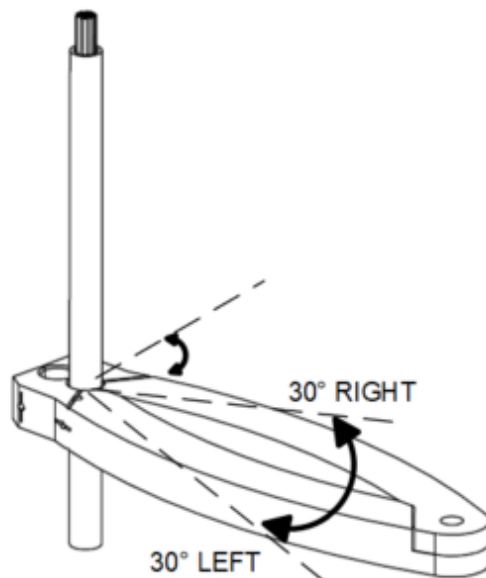
Step 2

PUT THE CABLE IN THE TRANSVERSAL CUT POSITION ALIGNED WITH THE MARK.

VERTICASA STRIPPING TOOL COMPACT

Step 3

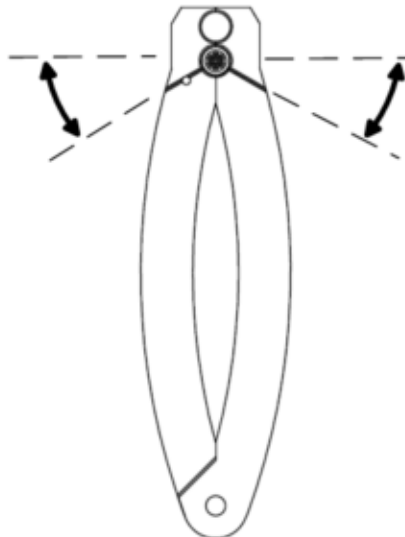
TIGHTEN THE STRIPPING TOOL AND ROTATE IT LEFT AND RIGHT FOR 30°. USE THE TRANSVERSAL CUT REFERENCE LINE FOR UNDERSTANDING WHERE TO STOP THE CUT: WHEN THE REFERENCE LINE BECOMES HORIZONTAL STOP THE TOOL AND COME BACK TO THE STARTING POSITION.



VERTICASA STRIPPING TOOL COMPACT

Step 4

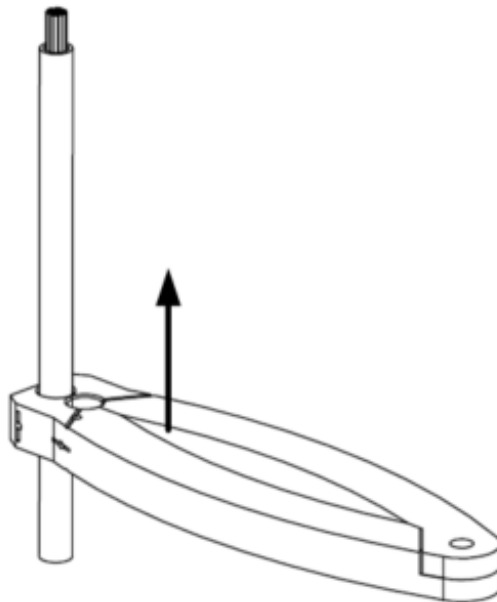
IF IT'S IMPOSSIBLE TO ROTATE THE TOOL OF 30° IT'S NOT A PROBLEM: IT'S ENOUGH TO ROTATE LESS BECAUSE WHAT IT IS IMPORTANT IS TO CREATE TRANSVERSAL INCISIONS. THE WINDOW WILL BE REMOVED BY HAND AT THE END.



VERTICASA STRIPPING TOOL COMPACT

Step 5

PUT THE CABLE IN THE LONGITUDINAL CUT POSITION PAYING ATTENTION NOT TO MOVE THE POSITION OF THE STRIPPING TOOL ON THE CABLE. USE THE HAND FOR KEEPING THE RIGHT POSITION.



VERTICASA STRIPPING TOOL COMPACT

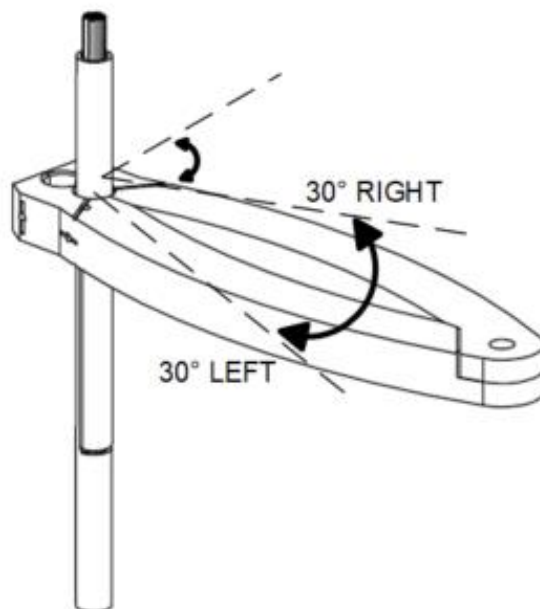
Step 6

TIGHTEN THE STRIPPING TOOL AND MOVE IT TOWARD UPSIDE
UNTIL THE MARK.
STOP THE CUT WHEN YOU HAVE CUT THE RIGHT WINDOW
LENGTH.

VERTICASA STRIPPING TOOL COMPACT

Step 7

PUT THE CABLE IN THE TRANSVERSAL CUT POSITION PAYING ATTENTION NOT TO MOVE THE POSITION OF THE STRIPPING TOOL ON THE CABLE. USE THE HAND FOR KEEPING THE RIGHT POSITION.



VERTICASA STRIPPING TOOL COMPACT

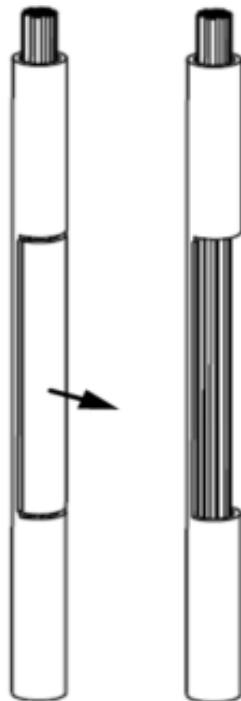
Step 8

TIGHTEN THE STRIPPING TOOL AND ROTATE IT LEFT AND RIGHT FOR 30°.

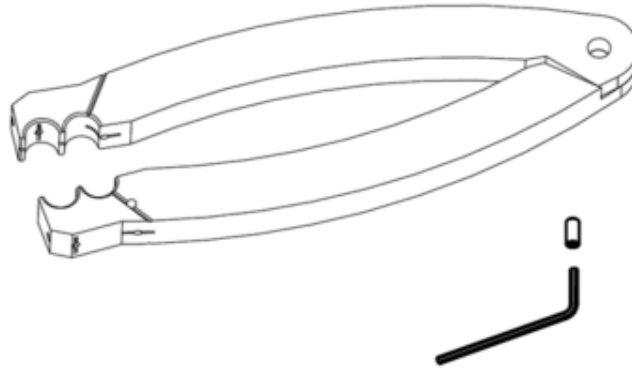
VERTICASA STRIPPING TOOL COMPACT

Step 9

REMOVE THE CUT WINDOW FROM THE CABLE BY HAND.



VERTICASA STRIPPING TOOL COMPACT



TO CHANGE THE BLADES:

USE THE M3 ALLEN KEY TO UNSCREW THE FOUR ALLEN SCREWS AND REMOVE THE BLADES BY SLIDING IT OUT OF THE STRIPPING TOOL BODY.

SPARE BLADE KIT PRYSMIAN PART NUMBER:

XCpsc01193 – Set of spare blades